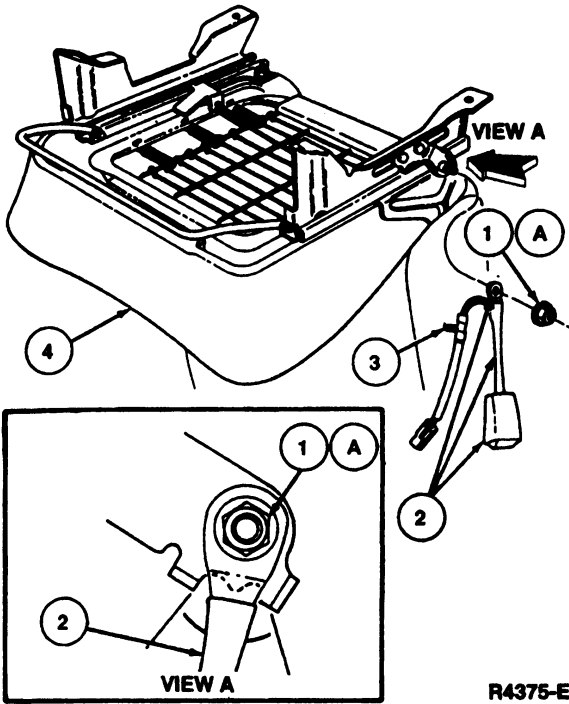


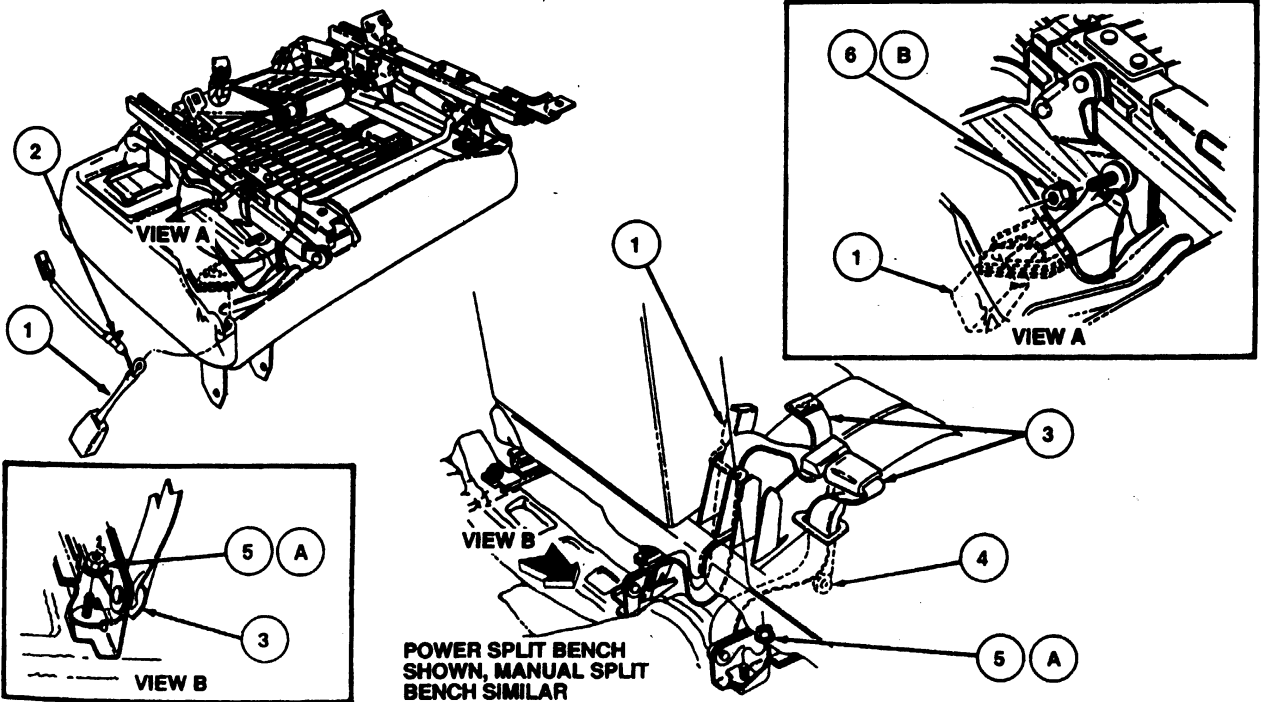
Inboard Bucket Seat



Item	Part Number	Description
1A	N800937-S190	Bucket Seat Safety Belt Anchor Nut
2	61202	Front Safety Belt Buckle End Locator (Part of 61202)
3	—	Front Bucket Seat
4	—	Front Bucket Seat
A	—	Tighten to 30-40 N-m (22-30 Lb-Ft)

R4375-E

Split Bench Seat, Power



POWER SPLIT BENCH SHOWN, MANUAL SPLIT BENCH SIMILAR

Item	Part Number	Description
1	61202	RH Front Safety Belt Buckle End
2	—	Locator (Part of 61202)
3	611B60	LH Front Seat Center Passenger Belt
4	61203	Front Safety Belt Buckle End

Item	Part Number	Description
5A	N620483-S36	Split Bench Safety Belt Nut
6B	N800937-S190	Split Bench Safety Belt Anchor Nut
A	—	Tighten to 60-90 N-m (44-66 Lb-Ft)
B	—	Tighten to 30-40 N-m (22-30 Lb-Ft)