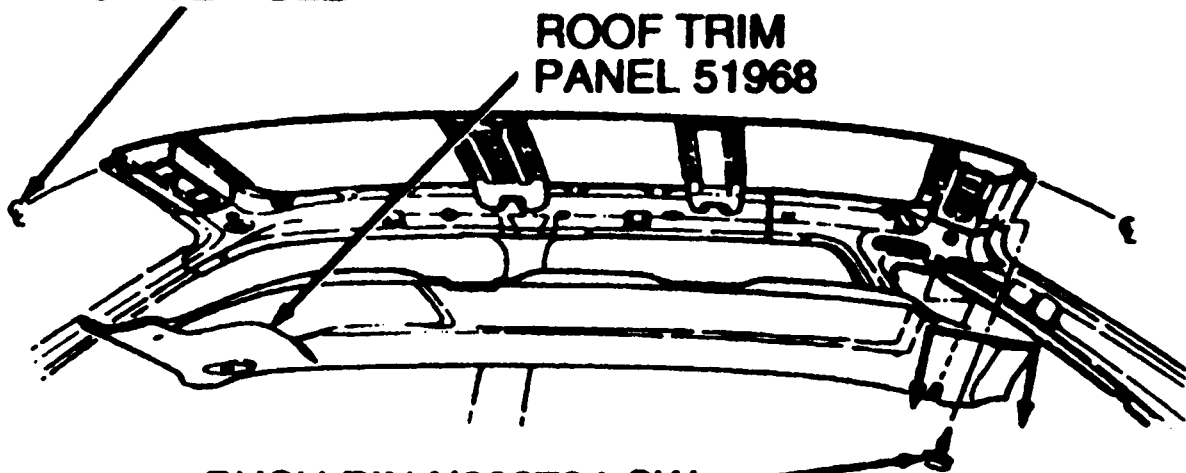


**CENTERLINE  
OF VEHICLE**

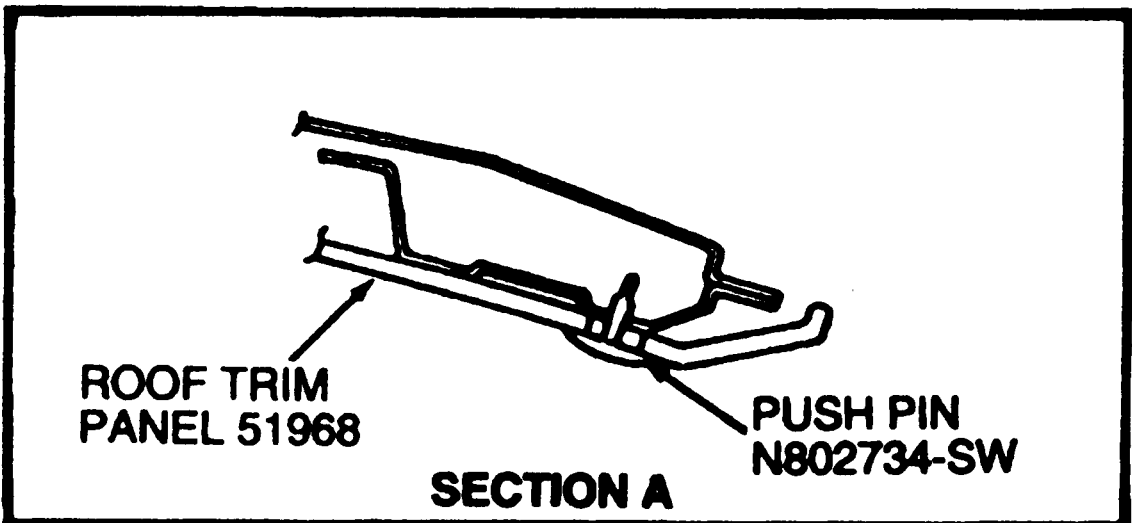
**ROOF TRIM  
PANEL 51968**



**PUSH PIN N802734-SW  
1 REQ'D EACH SIDE**

**SECTION A**

**← FRONT OF BODY —**



**ROOF TRIM  
PANEL 51968**

**PUSH PIN  
N802734-SW**

**SECTION A**