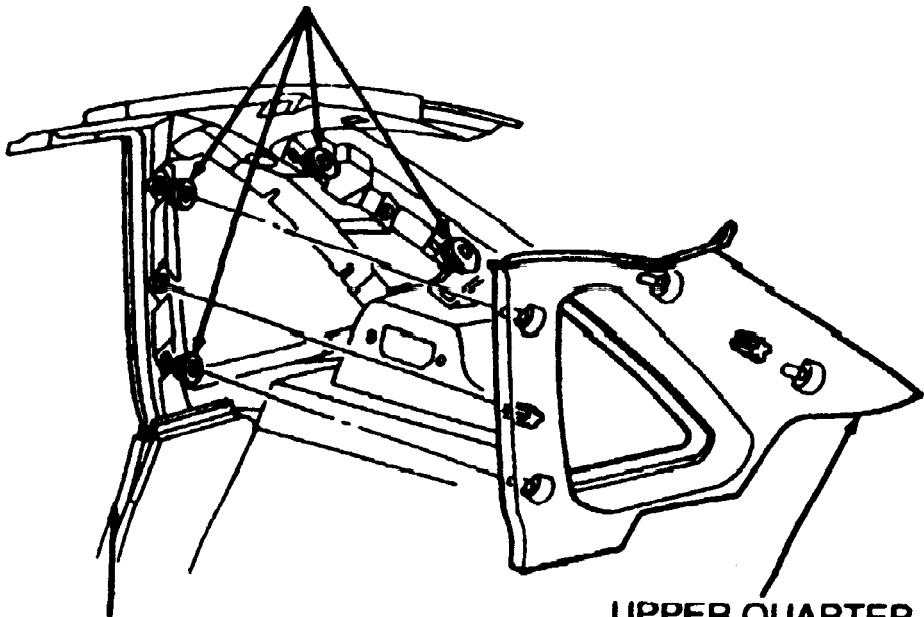


**BUSHING
N806795-S
4 REQ'D**



**LOWER
QUARTER
TRIM PANEL
31012**

**UPPER QUARTER
TRIM PANEL
52018**