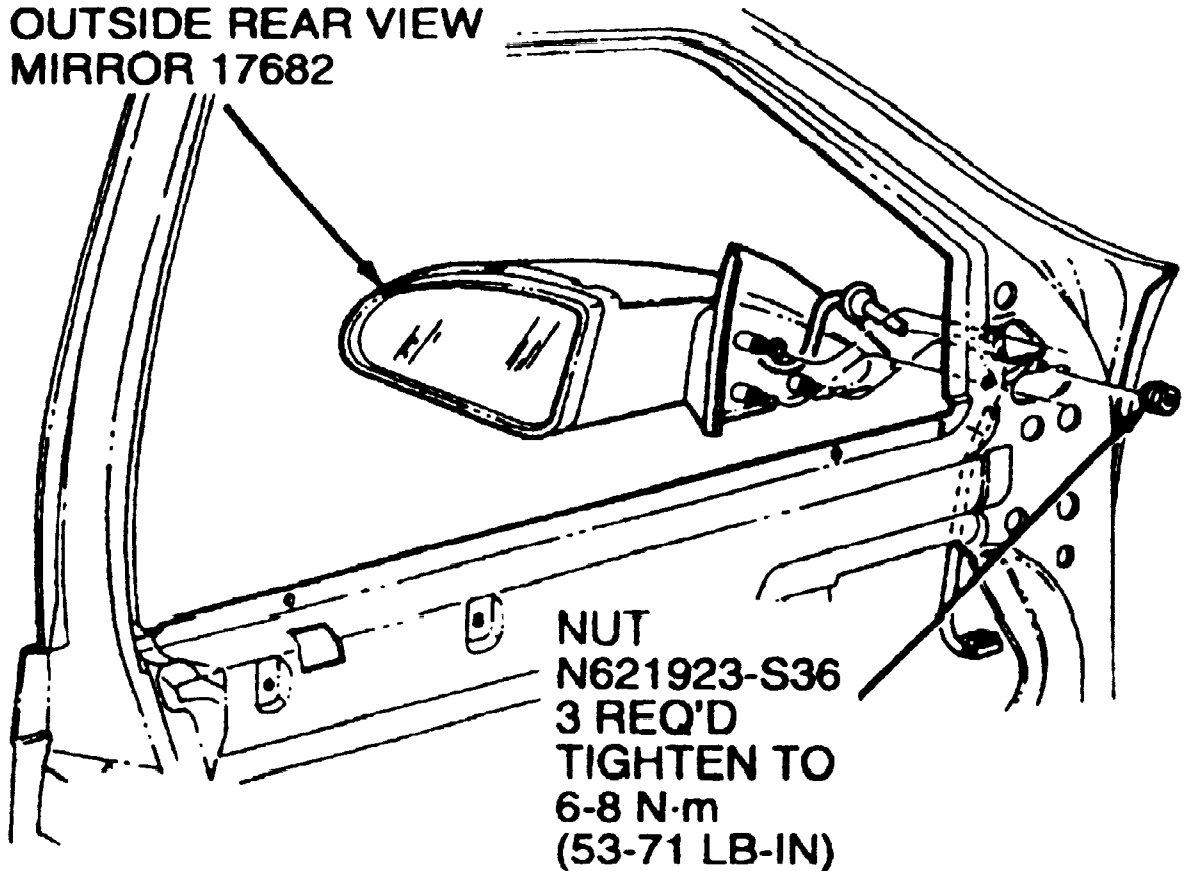


**OUTSIDE REAR VIEW
MIRROR 17682**



**NUT
N621923-S36
3 REQ'D
TIGHTEN TO
6-8 N·m
(53-71 LB-IN)**