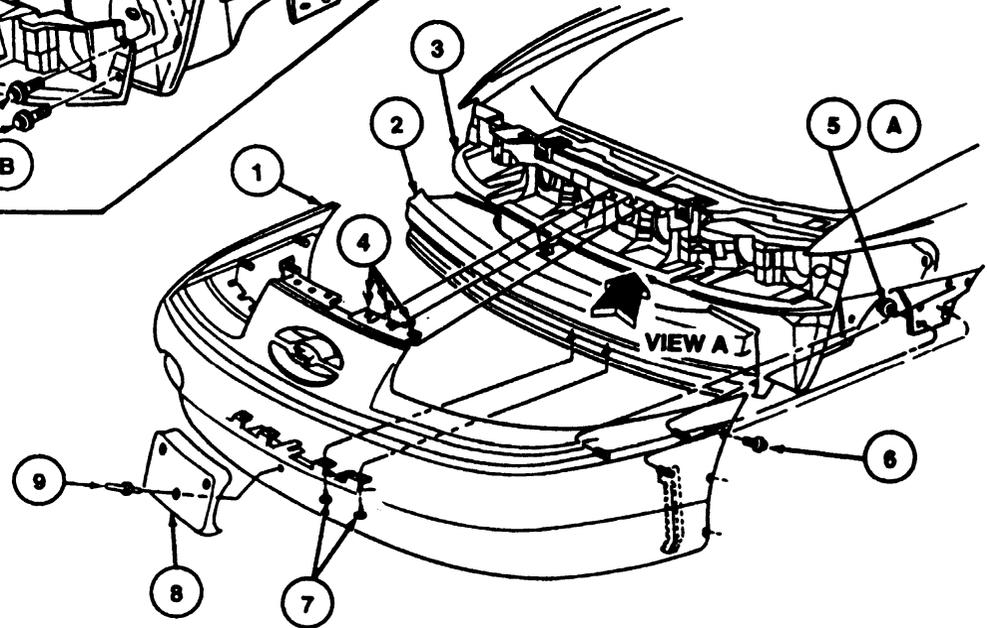


TAURUS SHO



Item	Part Number	Description
1	17D957	Front Bumper Cover
2	17757	Front Bumper
3	8A284	Radiator Grille Opening Panel Reinforcement
4	388577S	Push Pin (3 Req'd Each Side)
5	N621906-S36	Nut and Washer (2 Req'd Each Side)
6	388577-S	Push Pin (1 Req'd Each Side)

Item	Part Number	Description
7	388577-S	Push Pin (2 Req'd Each Side)
8	17A385	Front License Plate Mounting Bracket
9	N803043-S	Rivet (3 Req'd)
10	N606676-S55	Bolt and Washer
A	—	Tighten to 4.5-6.9 N-m (40-61 Lb-In)
B	—	Tighten to 5.3-7.1 N-m (47-63 Lb-In)