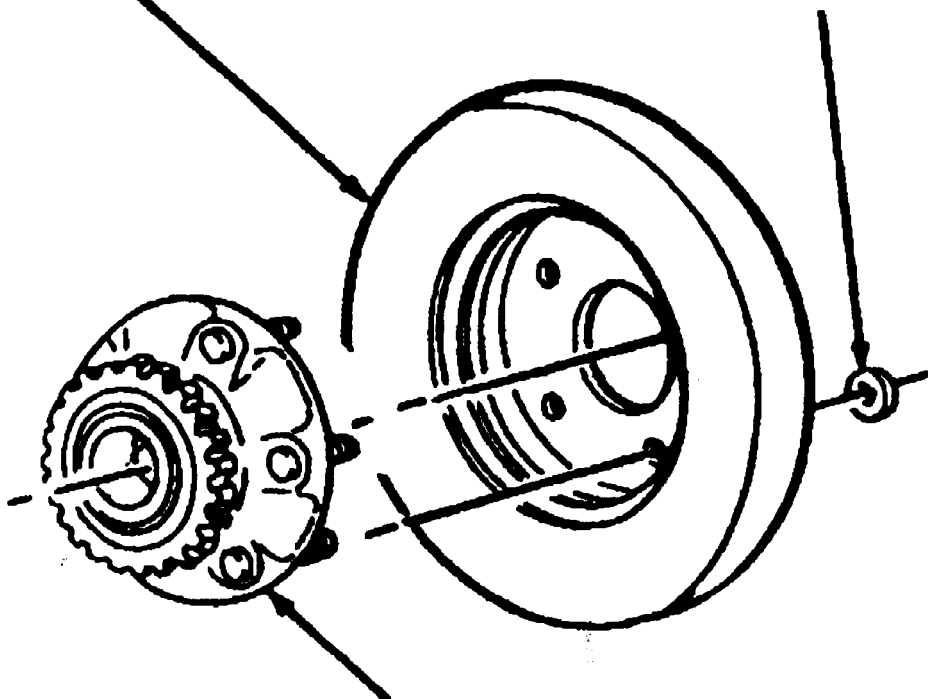


REAR DISC  
BRAKE  
ROTOR  
2C026

RETAINER NUTS  
W623485-S  
2 REQ'D EACH SIDE  
ASSEMBLE NUTS TO  
HOLD REAR DISC  
BRAKE ROTOR 2C026  
SECURE AGAINST  
REAR HUB 1109



REAR HUB  
1109