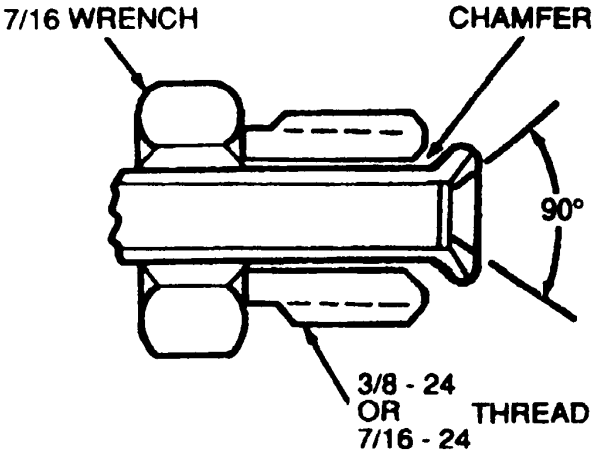
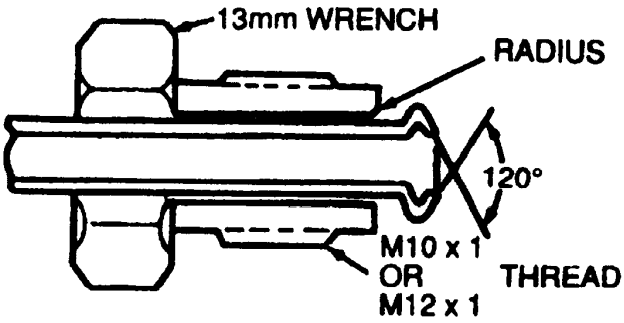


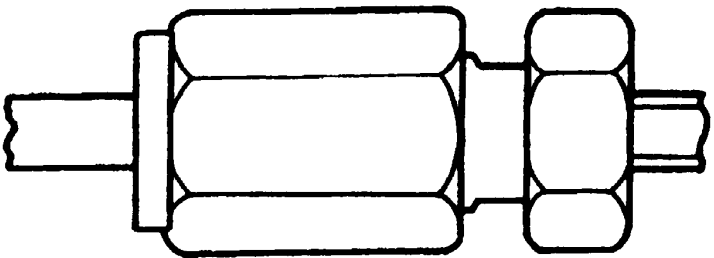
- SAE double 45-degree flare.



- ISO Metric flare.



- Tube to tube connection.



- SAE double 45 Union (repair).

