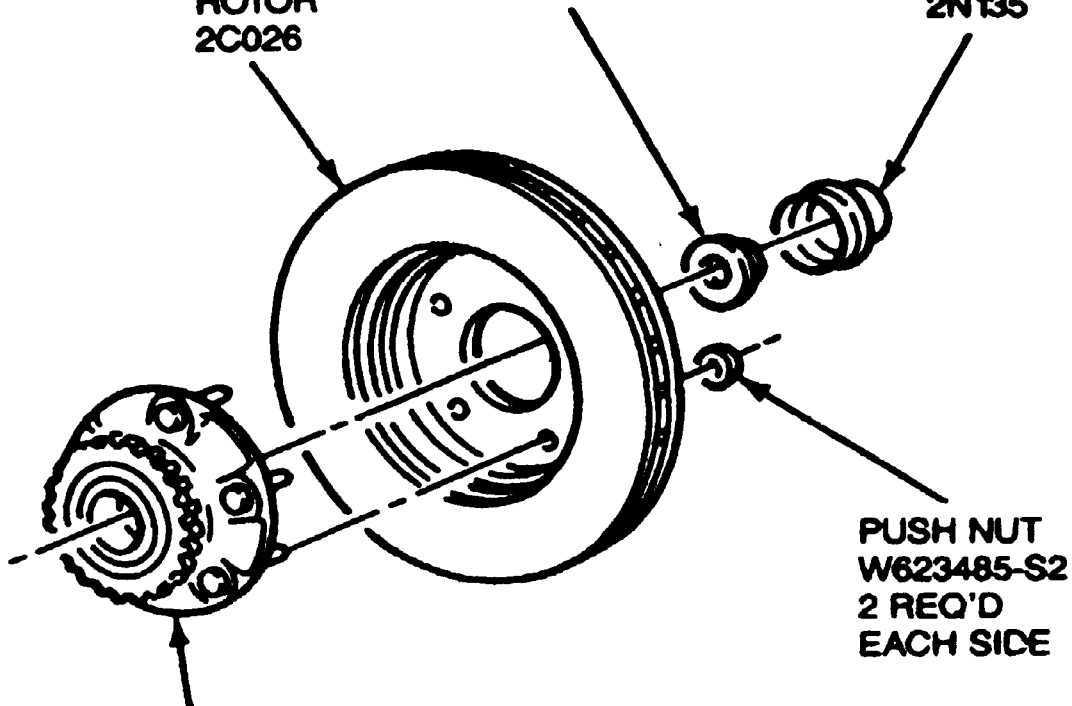


**NUT
4B423
2 REQ'D
TIGHTEN TO
257-352 N·m
(190-260 LB-FT)**

**ROTOR
2C026**

**DUST CAP
2N135**



**PUSH NUT
W623485-S2
2 REQ'D
EACH SIDE**

**HUB AND
BEARING ASSY
2B664**