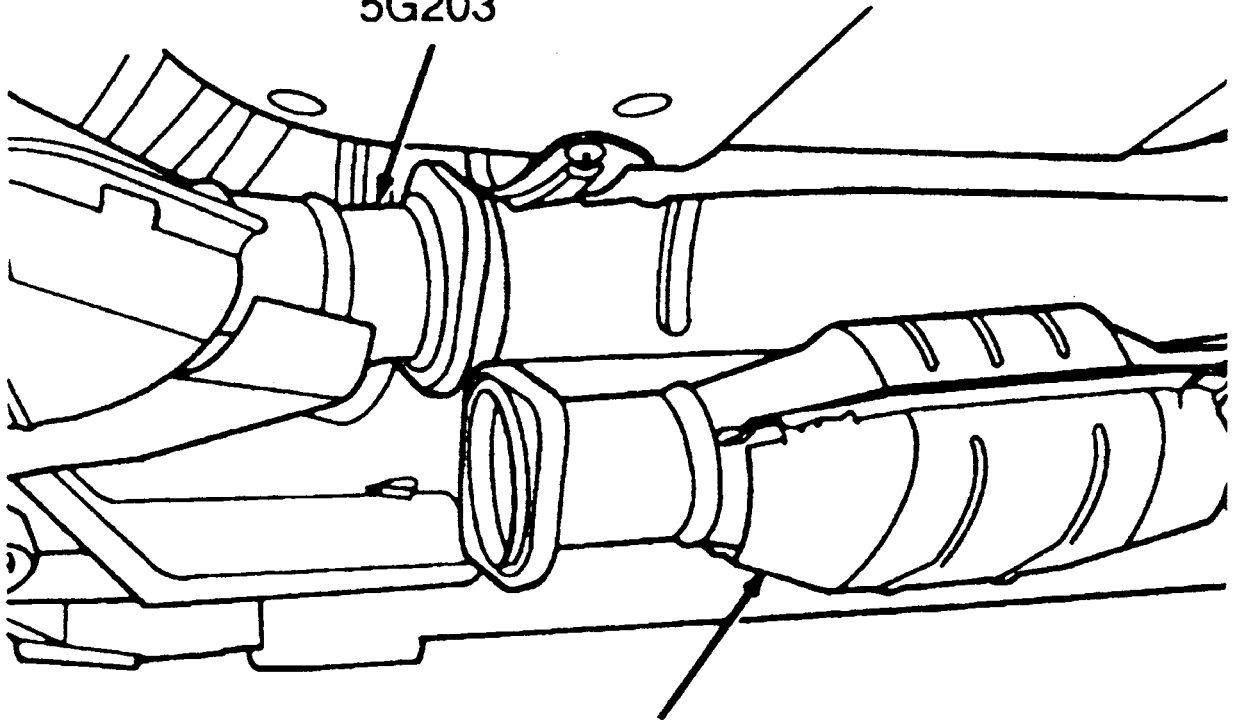


EXHAUST SYSTEM
FLEX TUBE
5G203



DUAL CONVERTER/"Y" PIPE
5F250