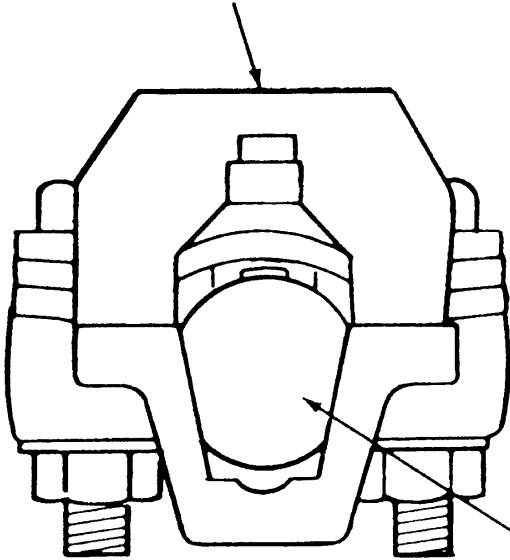
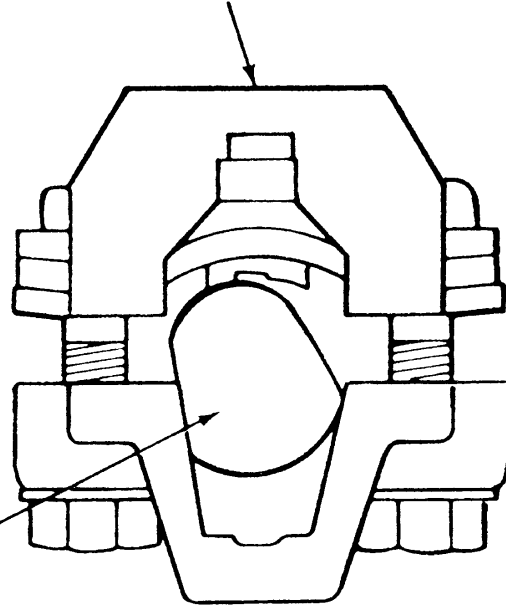


RETAINER
ASSY



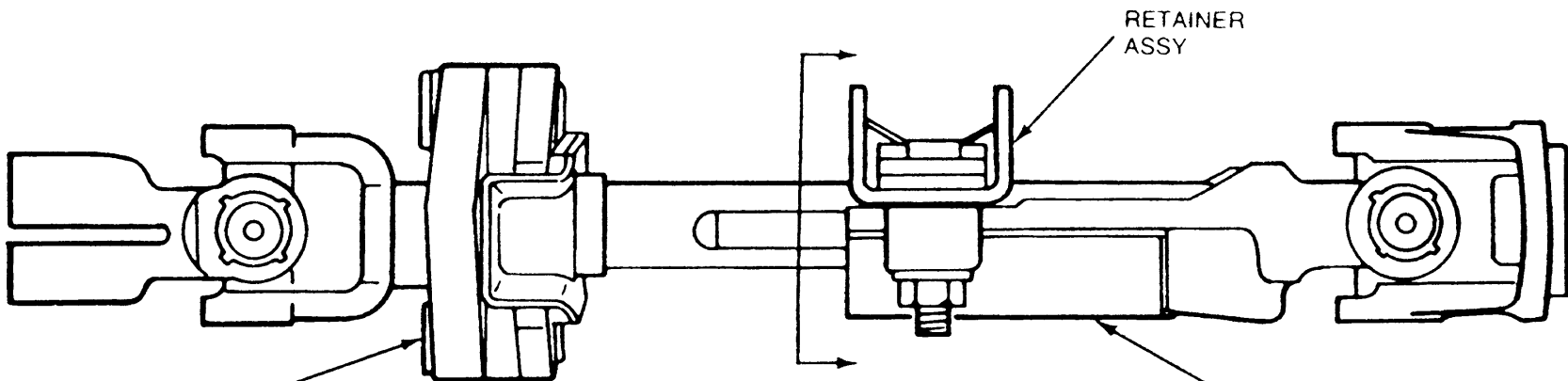
SECTION B
CORRECT ASSEMBLY

RETAINER
ASSY



SECTION A
INCORRECT ASSEMBLY

INTERMEDIATE
SHAFT ASSY



RETAINER
ASSY

INTERMEDIATE SHAFT
ASSY

SEE SECTION A
AND SECTION B

STEERING COLUMN ASSY