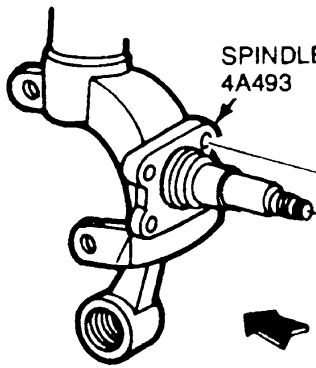


SEDAN

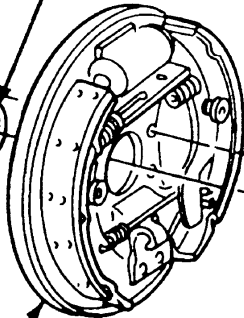


SPINDLE ASSY
4A493

GASKET
N803650-S



VIEW A

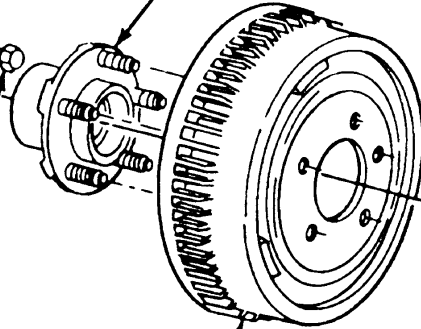


BACKING PLATE
ASSY
2209 RH
2210 LH



BOLT
N804175-S100
TIGHTEN TO
60-80 N·m
(45-59 LB-FT)

BEARING HUB
NUT
2C299



DRUM ASSY
1126

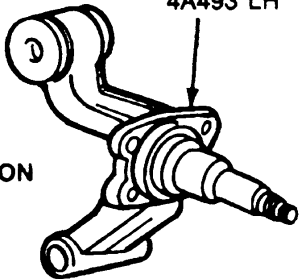


HUB NUT AND
WASHER ASSY
4B423
TIGHTEN TO
255-345 N·m
(188-254 LB-FT)

GREASE CAP
IN135



WAGON



SPINDLE ASSY
4A494 RH
4A493 LH

VIEW A