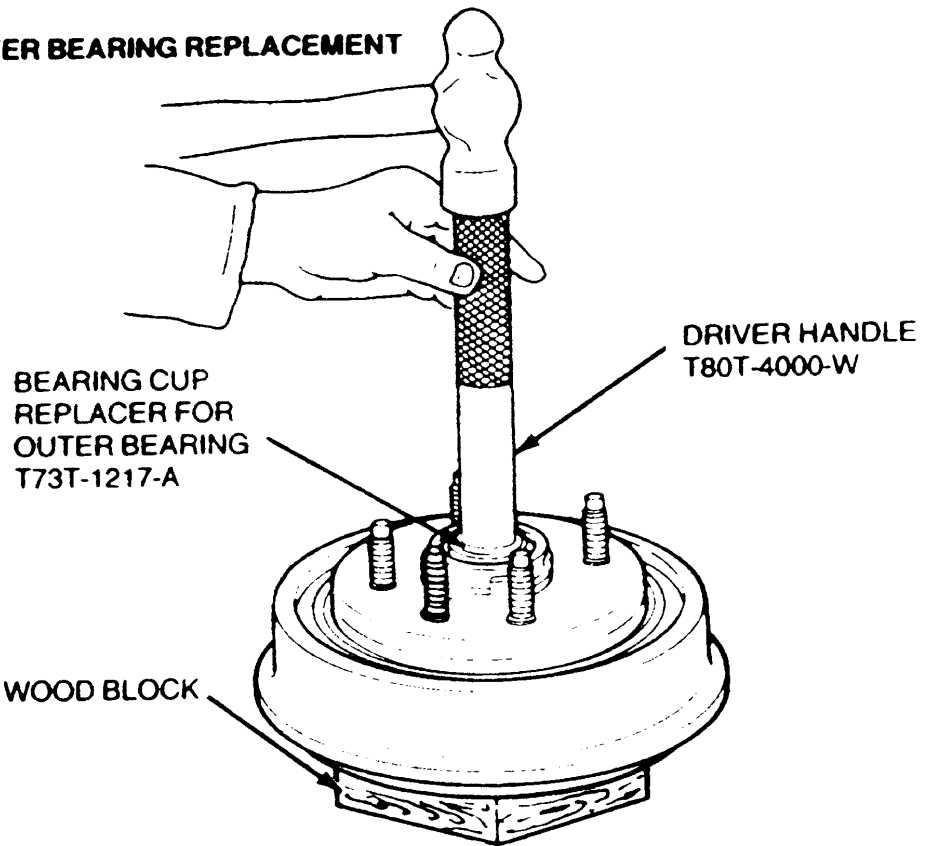


OUTER BEARING REPLACEMENT



INNER BEARING REPLACEMENT

