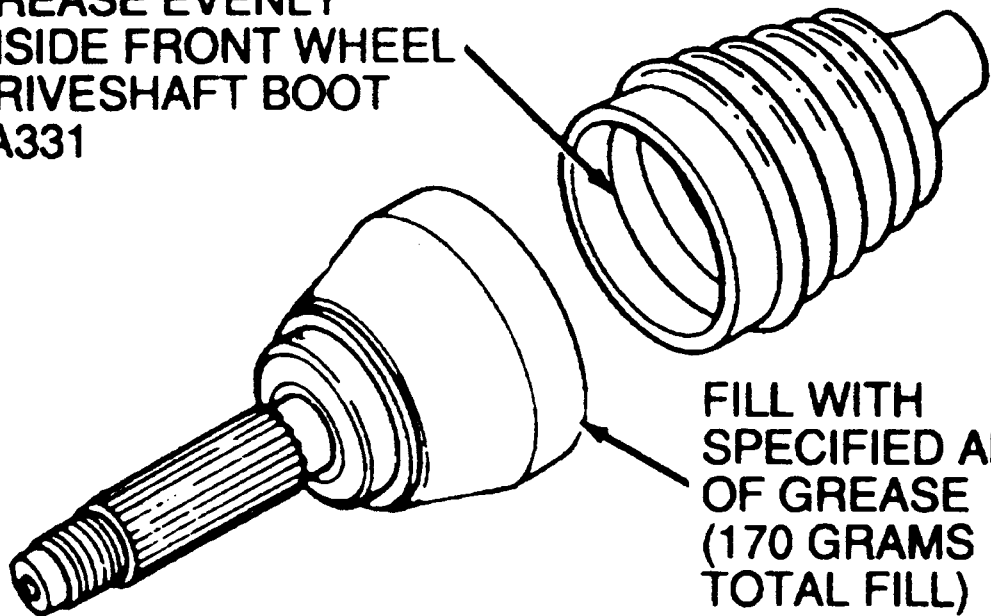


**SPREAD REMAINING  
GREASE EVENLY  
INSIDE FRONT WHEEL  
DRIVESHAFT BOOT  
3A331**



**FILL WITH  
SPECIFIED AMOUNT  
OF GREASE  
(170 GRAMS  
TOTAL FILL)**

**OUTBOARD CV JOINT**