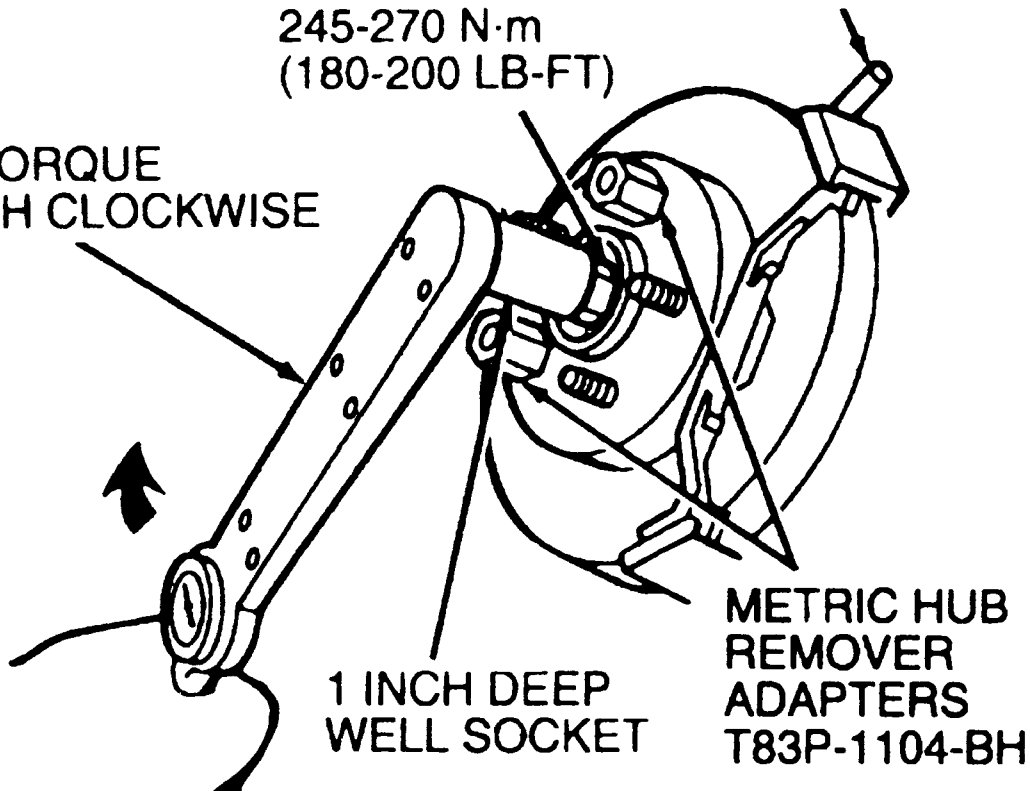


TIGHTEN NUT TO STEEL ROD
245-270 N·m
(180-200 LB-FT)

TURN TORQUE
WRENCH CLOCKWISE



METRIC HUB
REMOVER
ADAPTERS
T83P-1104-BH

1 INCH DEEP
WELL SOCKET

**CAUTION: DO NOT USE POWER OR IMPACT
TOOLS TO TIGHTEN THE HUB NUT**