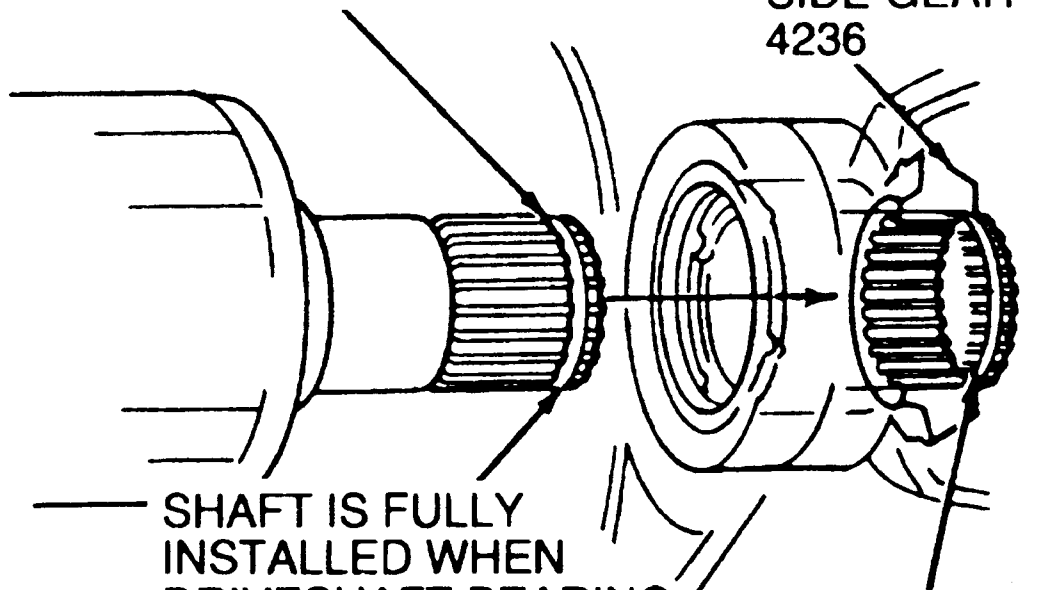


DRIVESHAFT BEARING
RETAINER CLIP 3Z498

TRANSAXLE
DIFFERENTIAL
SIDE GEAR
4236



SHAFT IS FULLY
INSTALLED WHEN
DRIVESHAFT BEARING
RETAINER CLIP 3Z498
IS FELT TO SEAT IN
DIFFERENTIAL SIDE
GEAR

GROOVE