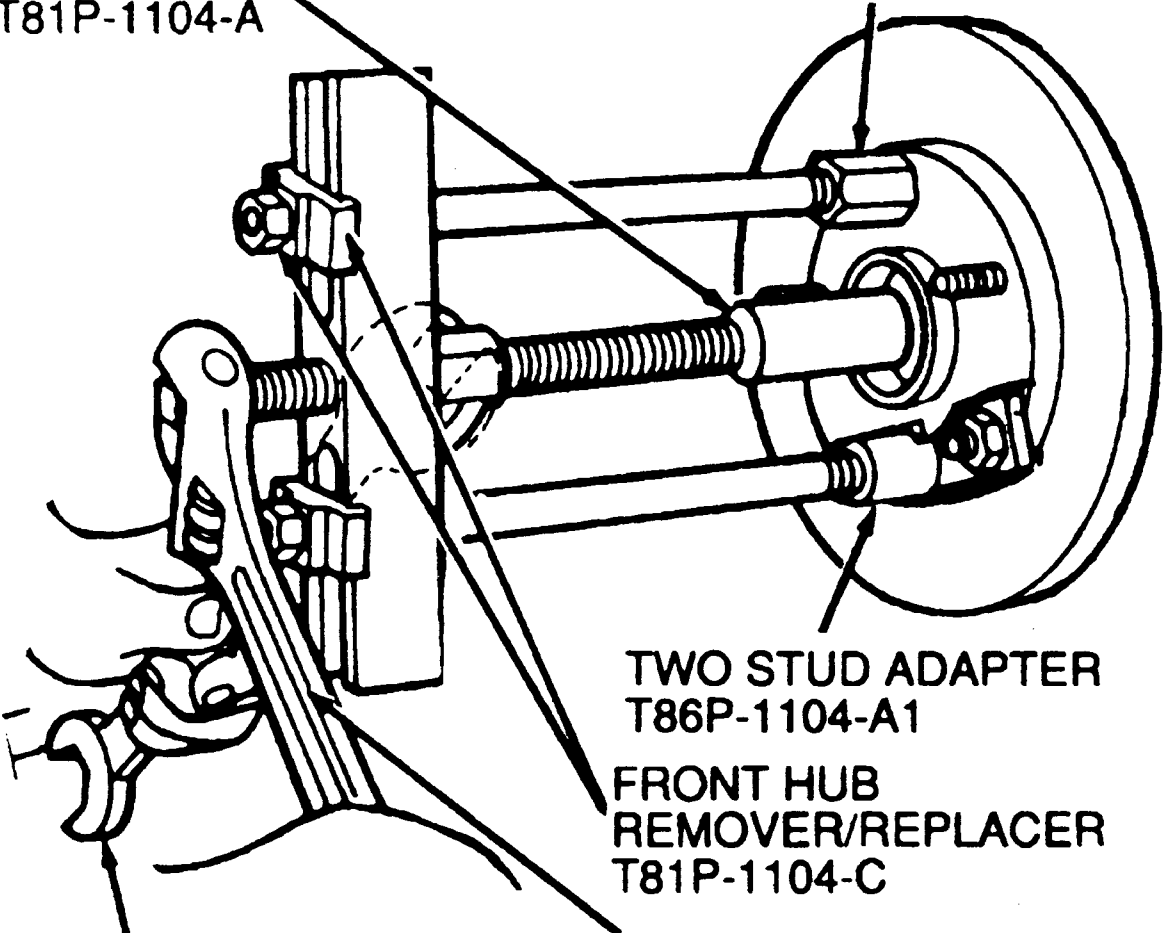


**MAKE SURE THE HUB REMOVER
ADAPTER IS FULLY THREADED
ONTO THE HUB STUD AND IS
POSITIONED OPPOSITE THE
TWO STUD ADAPTER**

**FRONT HUB
REPLACER
T81P-1104-A**

**METRIC HUB REMOVER
ADAPTERS T83P-1104-BH1**



**TWO STUD ADAPTER
T86P-1104-A1**

**FRONT HUB
REMOVER/REPLACER
T81P-1104-C**

**HOLD WRENCH STATIONARY
WHILE TURNING OTHER WRENCH**

**TURN THIS WRENCH
COUNTERCLOCKWISE**