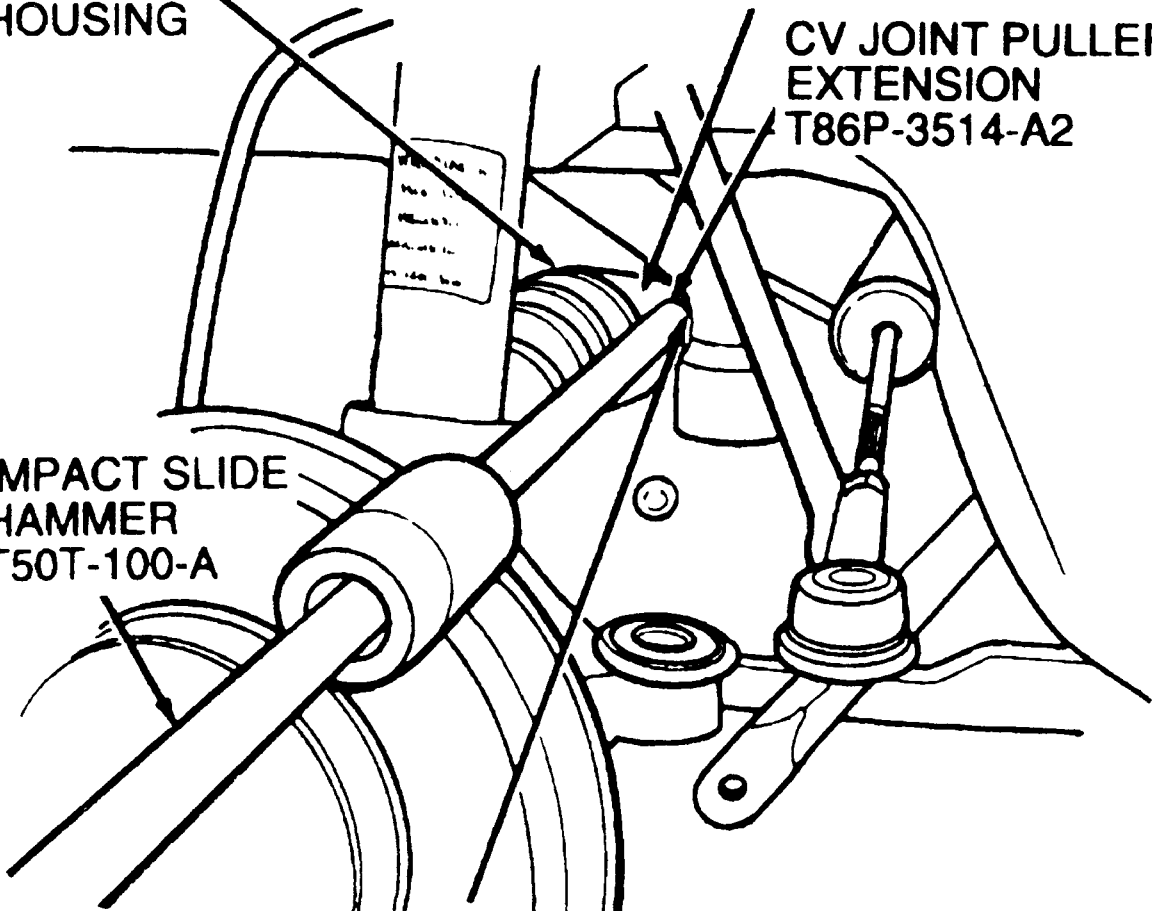


**INBOARD  
CV JOINT  
HOUSING**

**CV JOINT PULLER T86P-3514-A1  
(SHO AUTOMATIC ONLY T89P-3415-B)**

**CV JOINT PULLER  
EXTENSION  
T86P-3514-A2**

**IMPACT SLIDE  
HAMMER  
T50T-100-A**



**CAUTION: MAKE SURE  
PULLER DOES NOT CONTACT  
TRANSMISSION SPEED SENSOR  
OR DAMAGE WILL RESULT**