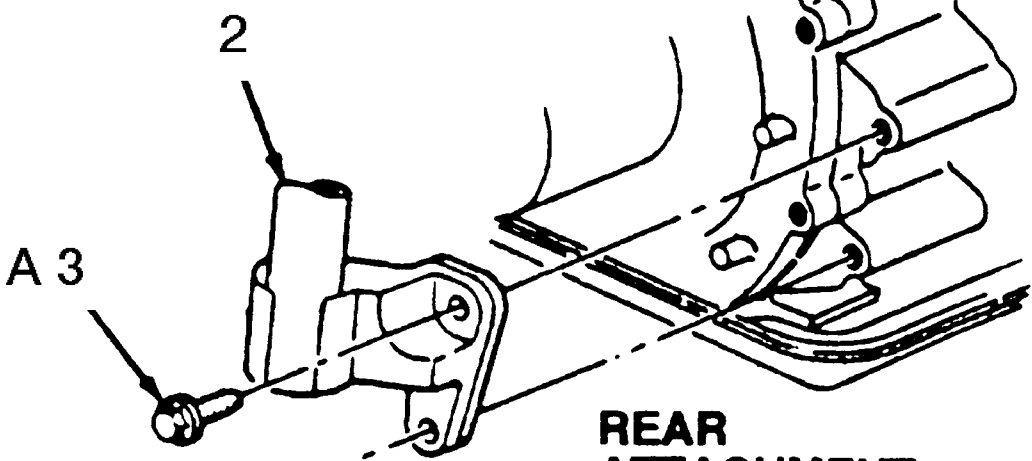
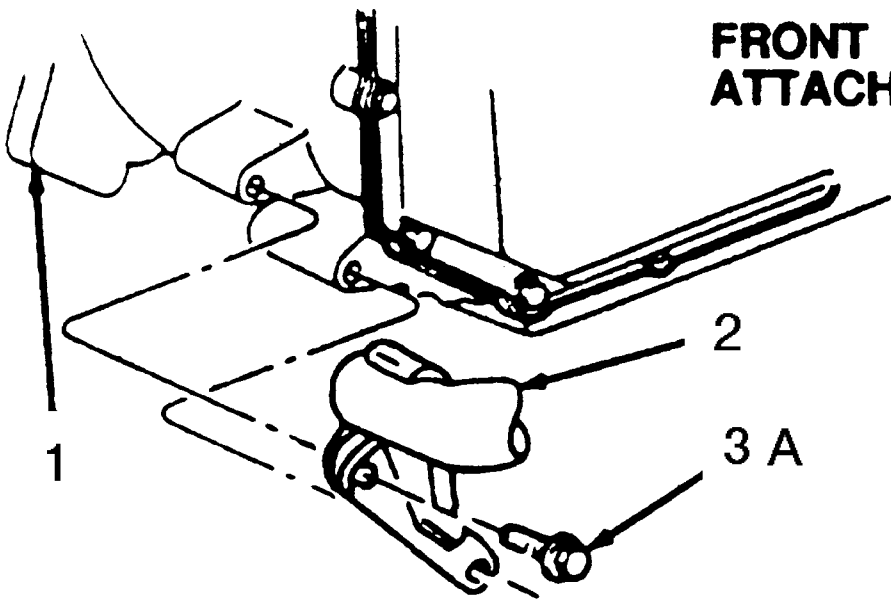


FRONT ATTACHMENT



REAR ATTACHMENT

- 1. Transaxle case
- 2. Support assy
- 3. Bolt (2 req'd)
- A. Tighten to 54-75 N.m
(40-55 lb-ft)