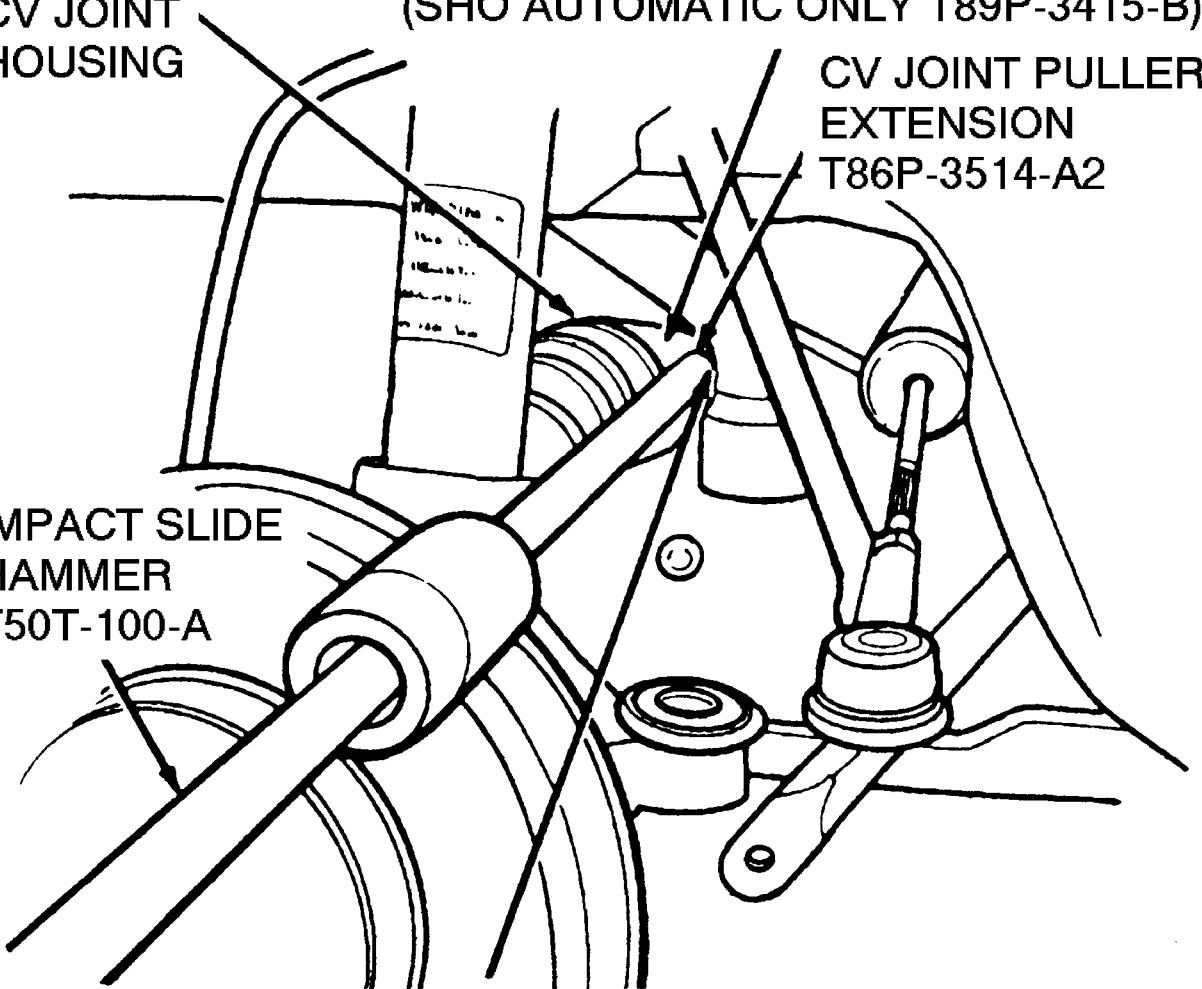


INBOARD
CV JOINT
HOUSING

CV JOINT PULLER T86P-3514-A1
(SHO AUTOMATIC ONLY T89P-3415-B)

CV JOINT PULLER
EXTENSION
T86P-3514-A2

IMPACT SLIDE
HAMMER
T50T-100-A



**CAUTION: MAKE SURE
PULLER DOES NOT CONTACT
TRANSMISSION SPEED SENSOR
OR DAMAGE WILL RESULT**