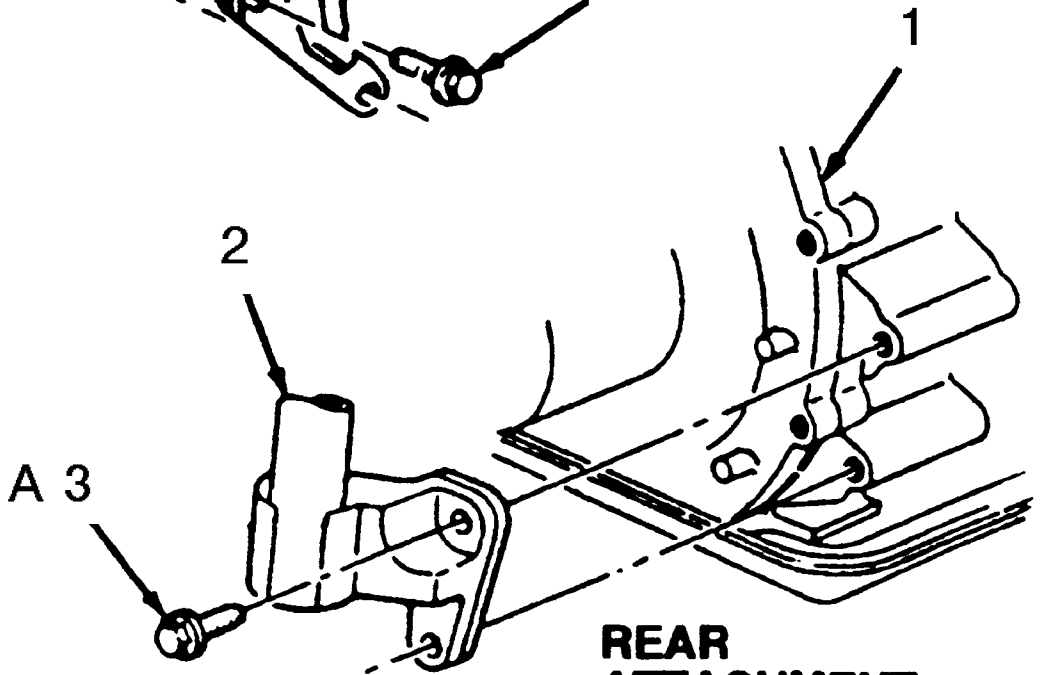
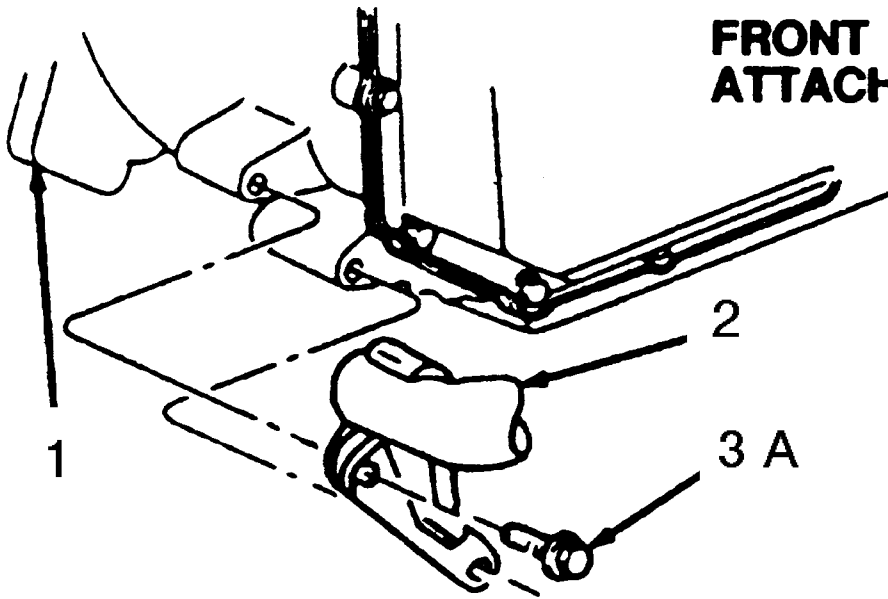


FRONT ATTACHMENT



REAR ATTACHMENT

1. Transaxle case
2. Support assy
3. Bolt (2 req'd)
- A. Tighten to 54-75 N.m
(40-55 lb-ft)