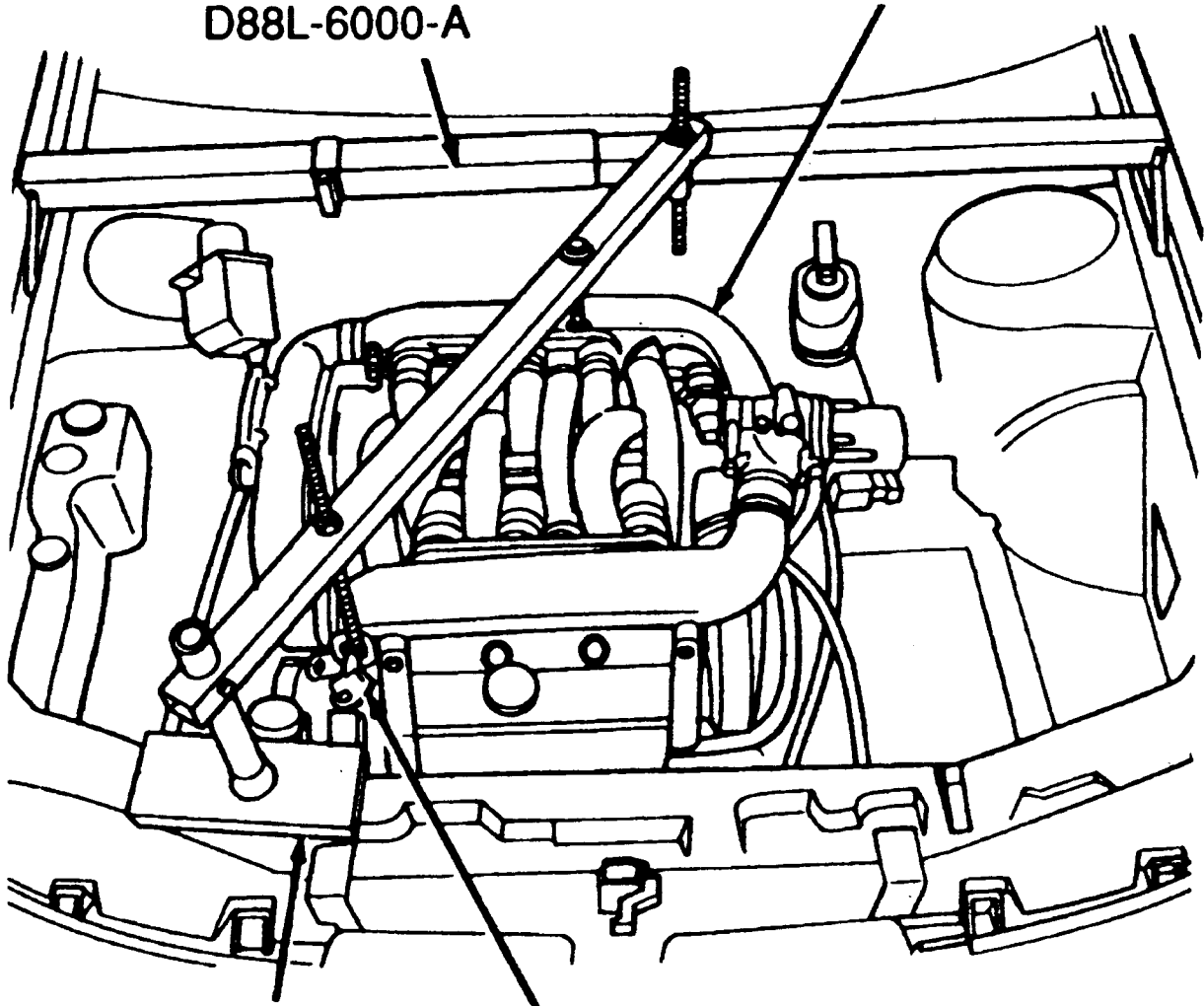


THREE BAR  
ENGINE SUPPORT  
D88L-6000-A

ENGINE LIFTING  
BRACKET D89L-6001-A



WOOD  
BLOCK

ENGINE LIFTING  
EYE D81L-6001-D