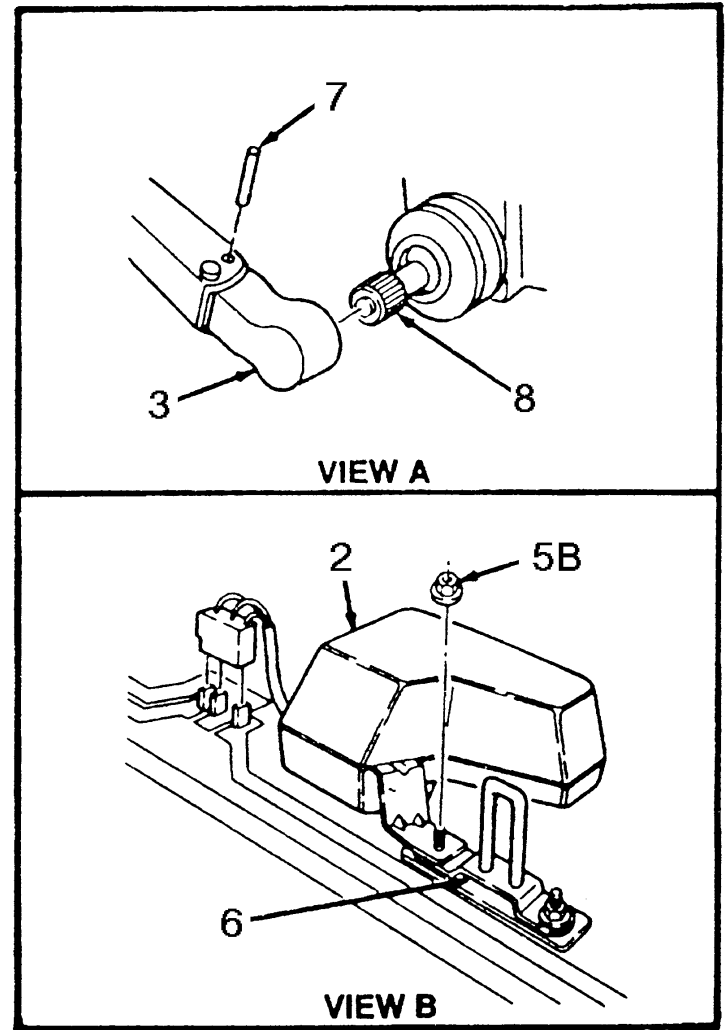


- 1 Back window handle
- 2 Rear window wiper motor cover
- 3 Rear arm and blade assy
- 4 Grommet and washer nut
- 5 Nut and washer assy (2 req'd)



- 6 Back window latch striker assy
- 7 1/16-inch diameter roll pin
- 8 Rear windshield wiper motor
- A Tighten to 15-20 Nm (11-14 lb.ft.)
- B Tighten to 5-8 Nm (44-53 lb.in.)