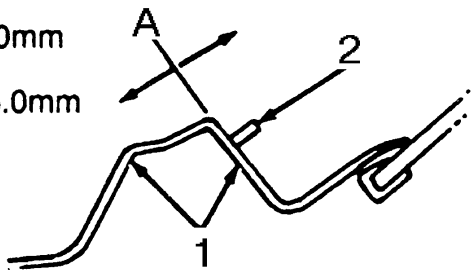
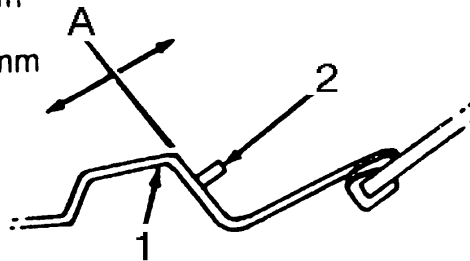


-5.0mm  
TO  
-25.0mm

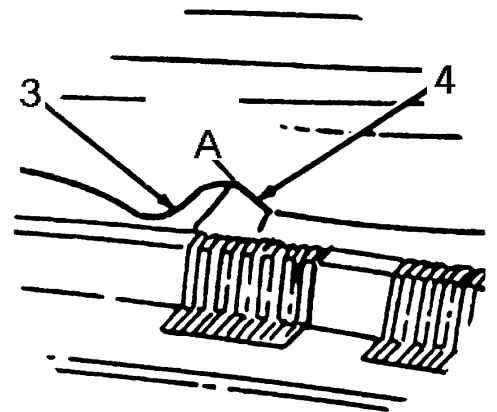


**SECTION B  
PASSENGER SIDE**

-5.0mm  
TO  
-25.0mm



**SECTION A  
DRIVER SIDE**



**VIEW C**

- 1 Cowl vent screen
- 2 Windshield wiper pivot arm
- 3 Top surface
- 4 Park surface
- A 5.0-25.0 mm (0.19-0.98 inches)