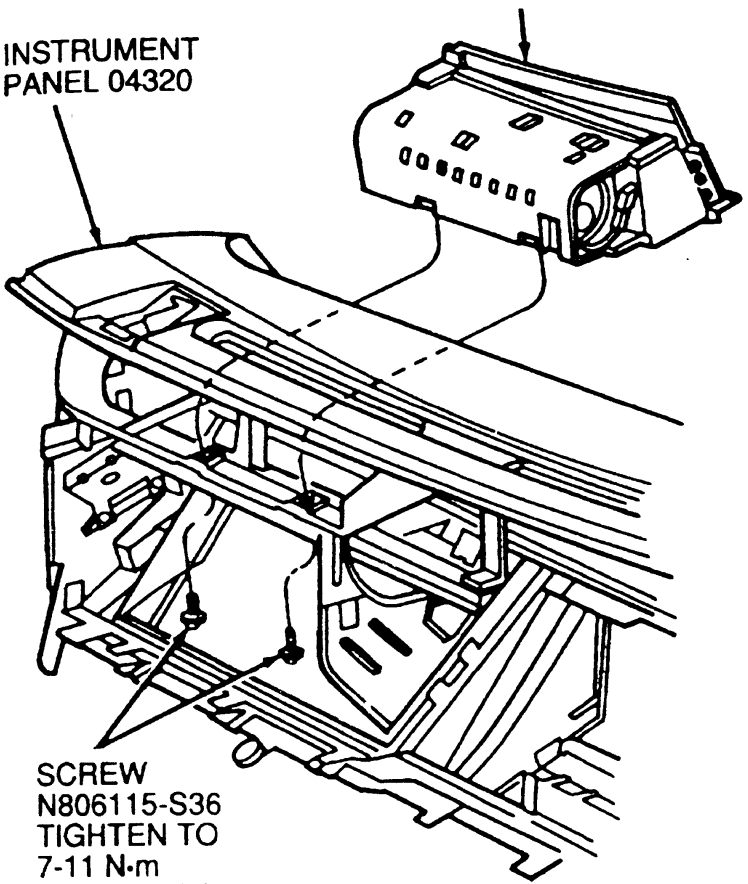


PASSENGER SIDE
AIR BAG MODULE
044A74

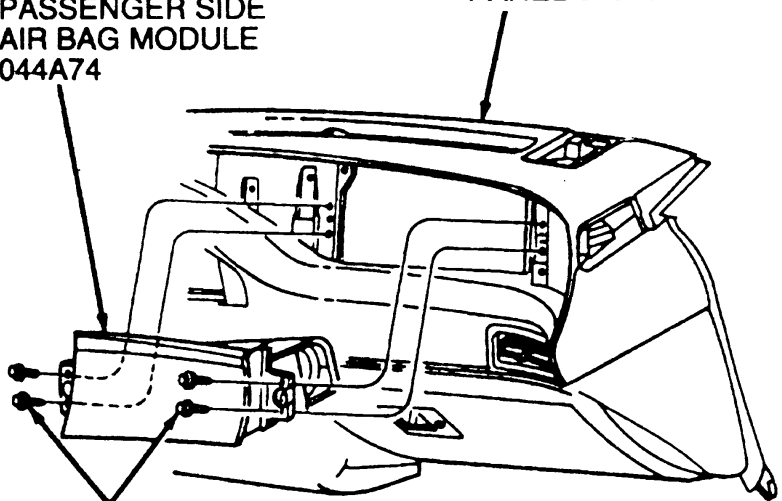
INSTRUMENT
PANEL 04320



SCREW
N806115-S36
TIGHTEN TO
7-11 N·m
(62-97 LB-IN)

INSTRUMENT
PANEL 04320

PASSENGER SIDE
AIR BAG MODULE
044A74



SCREW
N803876-S36
4 REQ'D
TIGHTEN TO
1.2-1.8 N·m
(11-16 LB-IN)