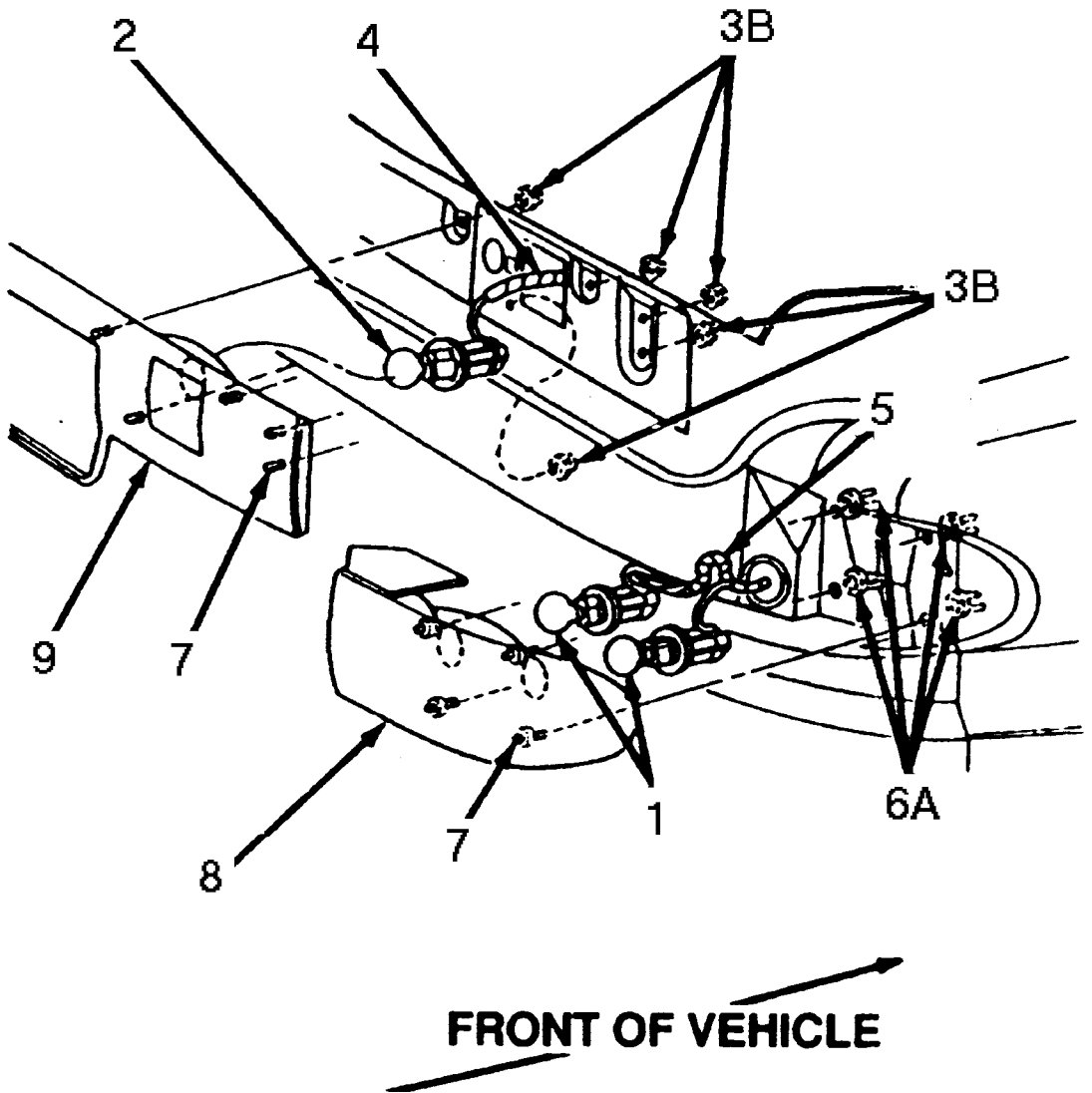


Sable



- 1 Miniature bulb (4 req'd)
- 2 Miniature bulb (2 req'd)
- 3 Nut (10 req'd)
- 4 Lamp socket and wiring
- 5 Rear lamp wiring
- 6 Nut (8 req'd)
- 7 Stud
- 8 Lamp
- 9 Rear lamp reflector
- A Tighten to 1.6-2.2 Nm (15-19 lb.in.)
- B Tighten to 1.2-1.8 Nm (11-15 lb.in.)