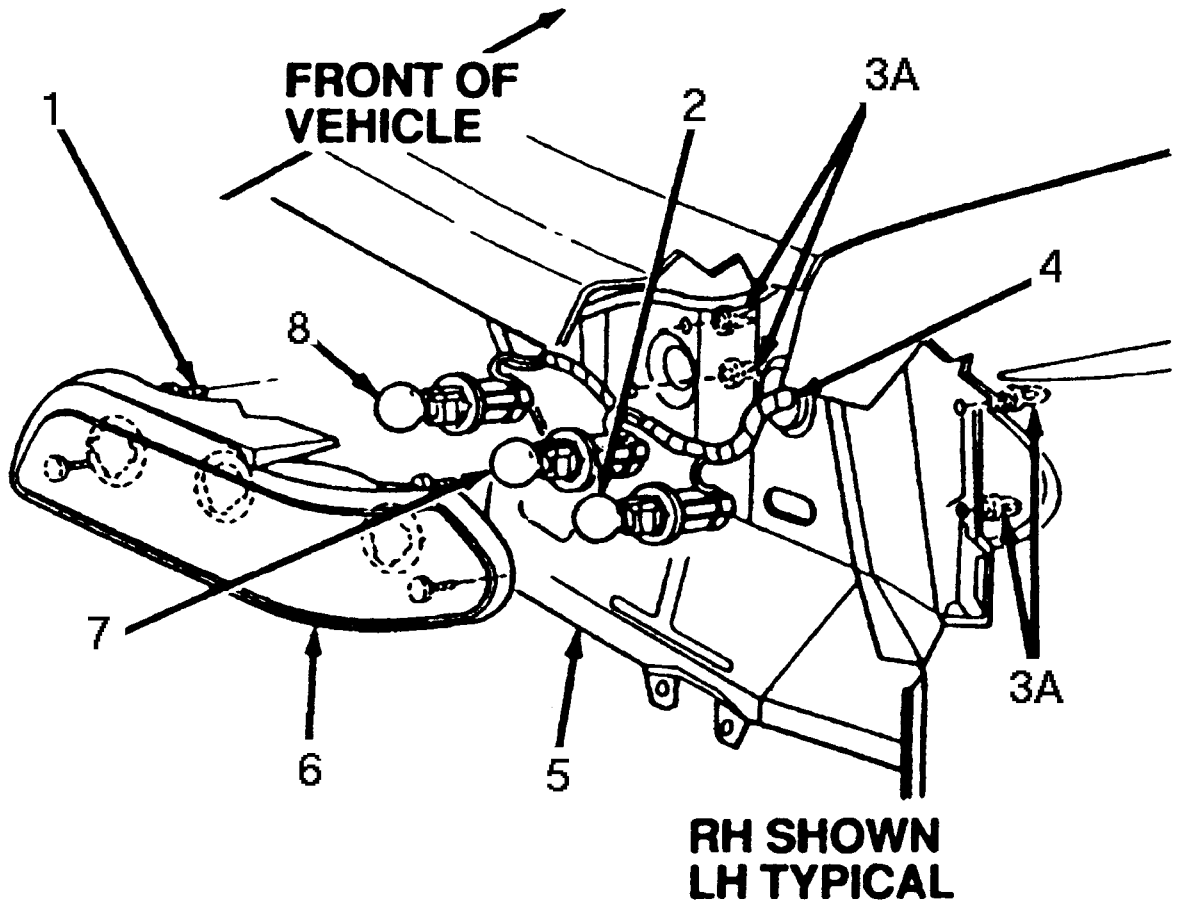


# Taurus



- 1 Stud (part of lamp assy)
- 2 Miniature bulb (2 req'd)
- 3 Nut
- 4 Wiring assy rear lamp
- 5 Lower back panel
- 6 Lamp assy
- 7 Miniature bulb (2 req'd)
- 8 Miniature bulb (2 req'd)
- A Tighten to 1.6-2.2 Nm (15-19 lb.in.)