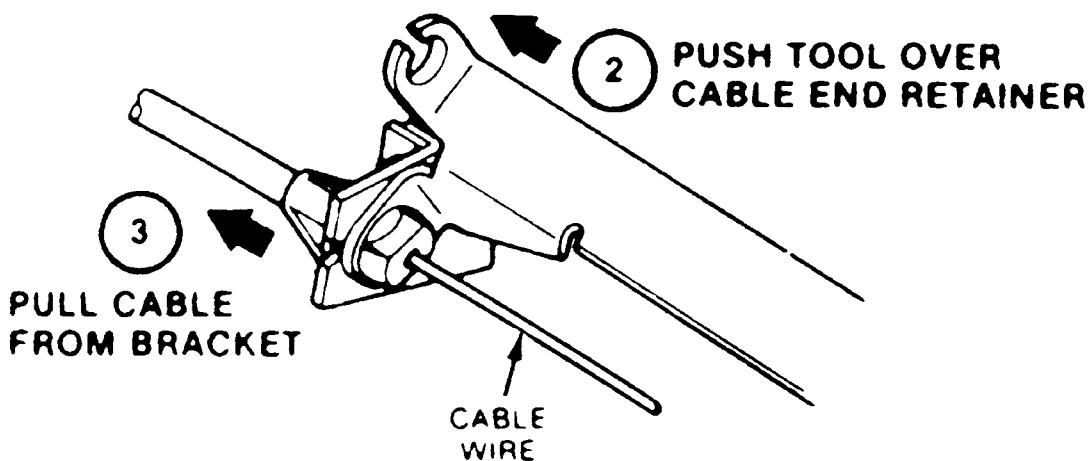
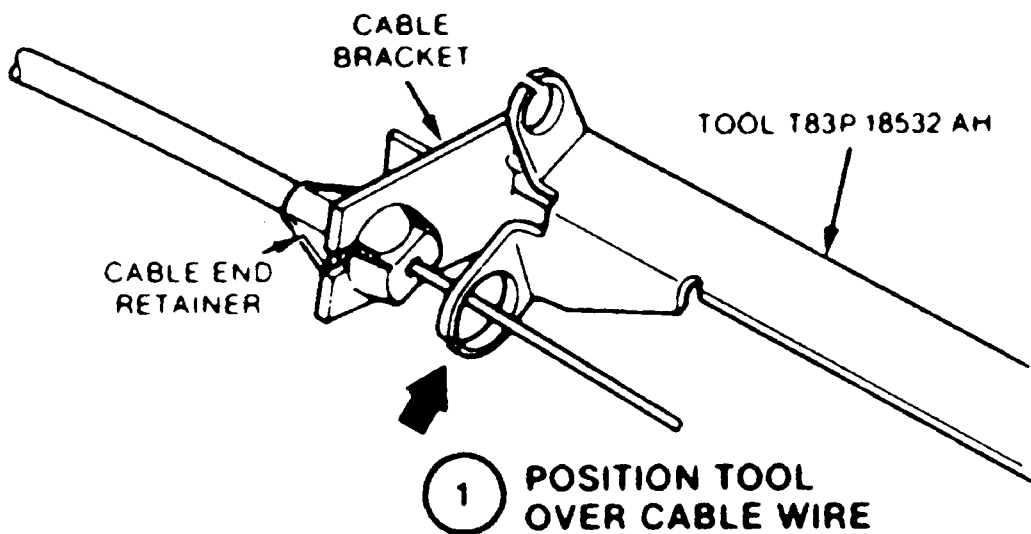


REMOVAL



INSTALLATION

- 1 PUSH CABLE END RETAINER INTO BRACKET UNTIL LATCHED WITH BRACKET

