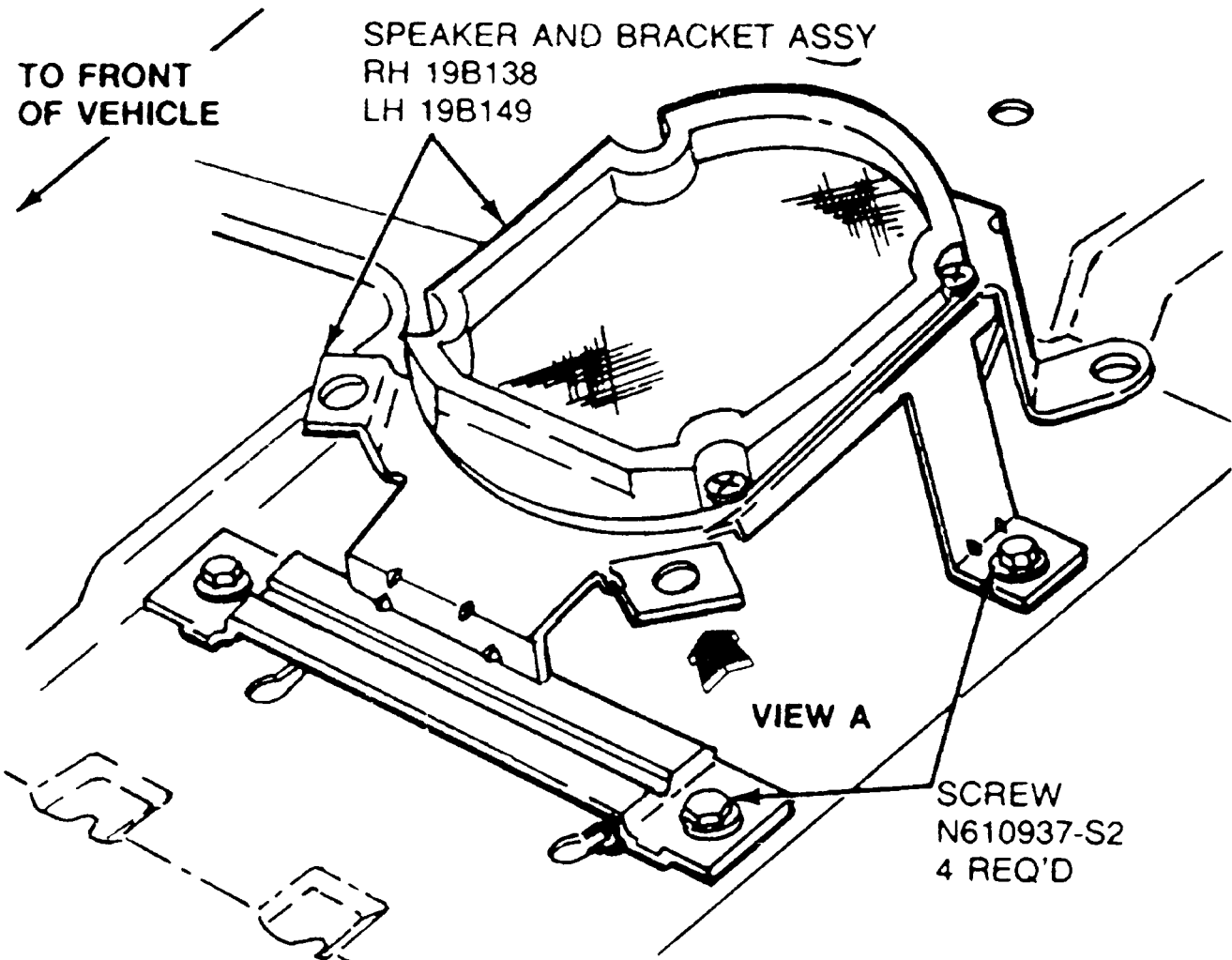


SPEAKER AND BRACKET ASSY

RH 19B138

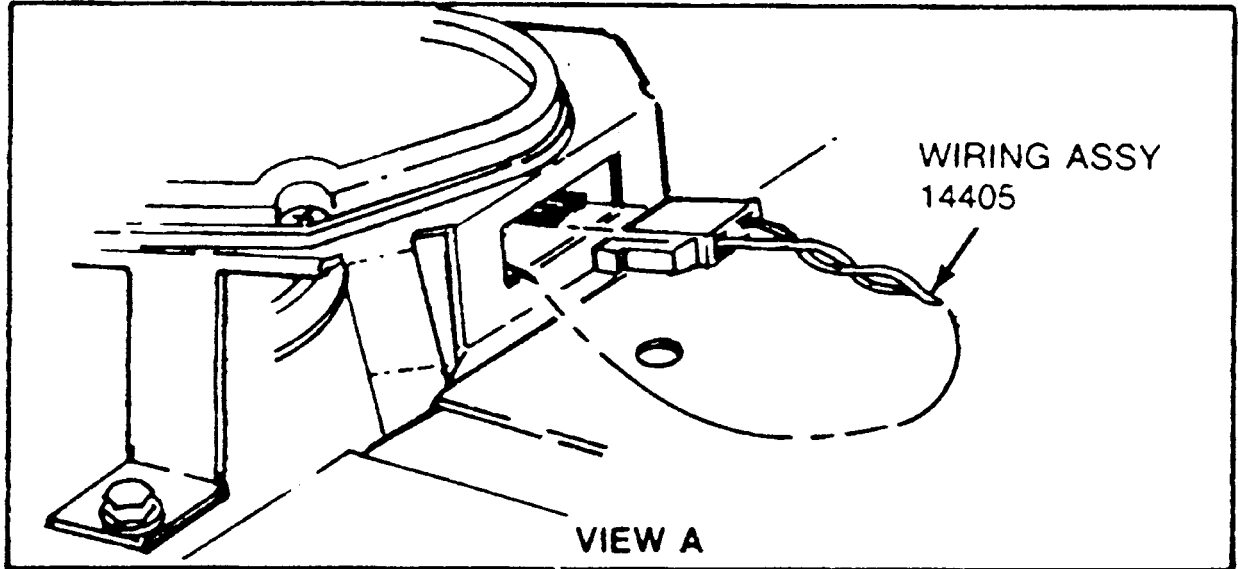
LH 19B149

TO FRONT  
OF VEHICLE



VIEW A

SCREW  
N610937-S2  
4 REQ'D



WIRING ASSY  
14405

VIEW A