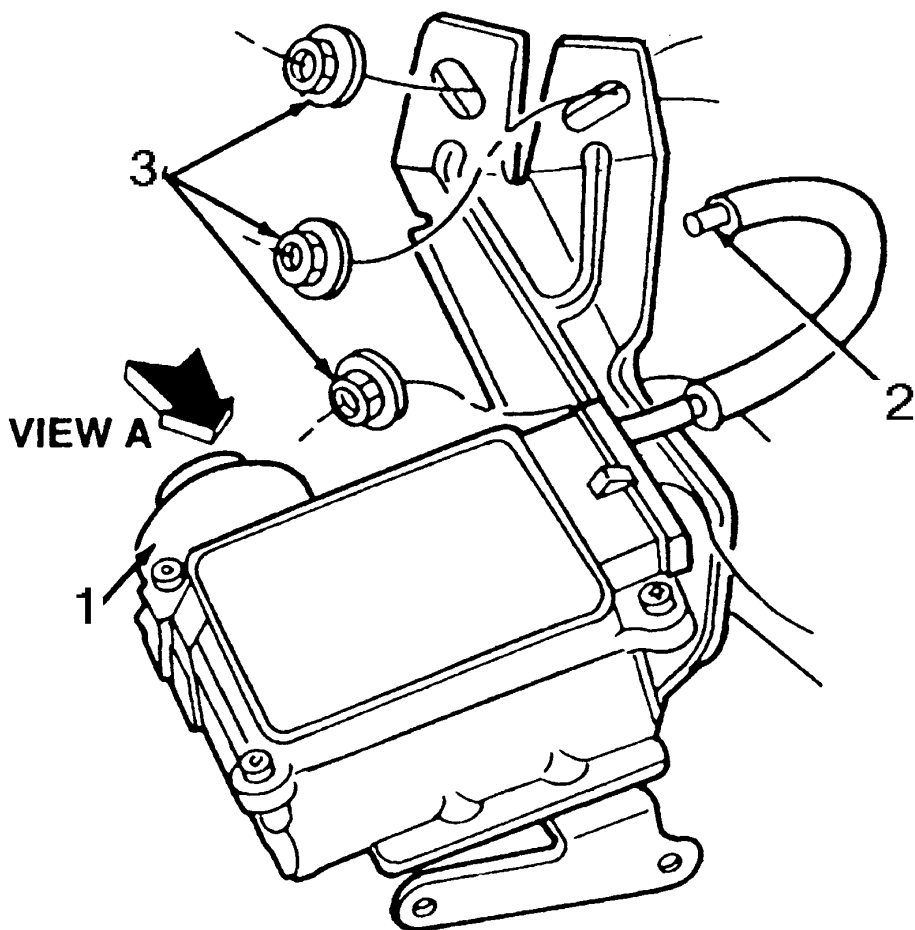


VIEW A



- 1 Speed control servo
- 2 Actuator assy
- 3 Nut (3 req'd)