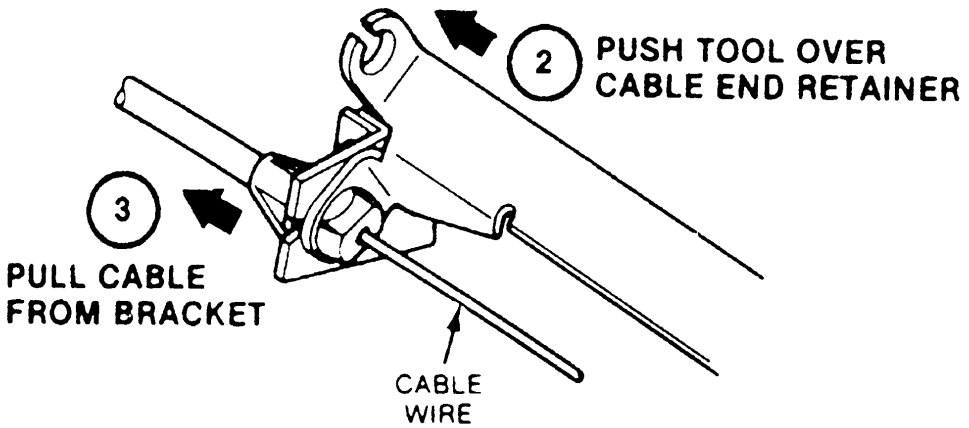
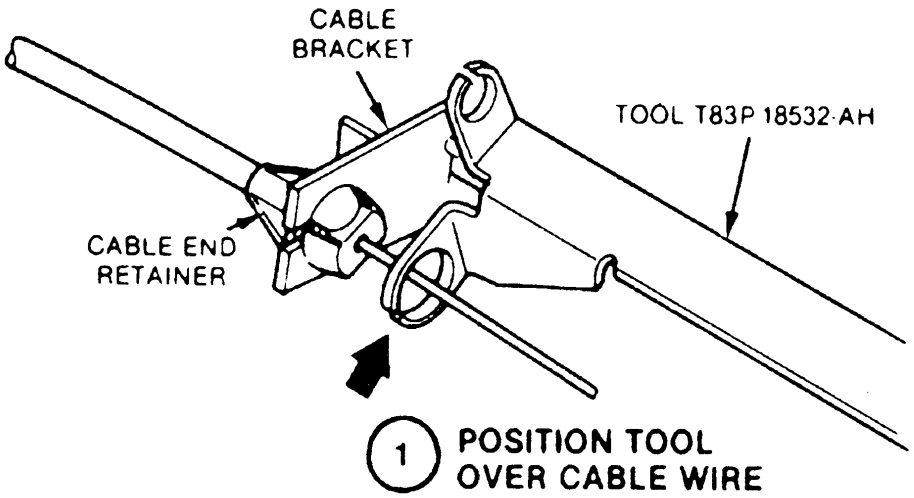


## REMOVAL



## INSTALLATION

- 1 PUSH CABLE END RETAINER INTO BRACKET UNTIL LATCHED WITH BRACKET

