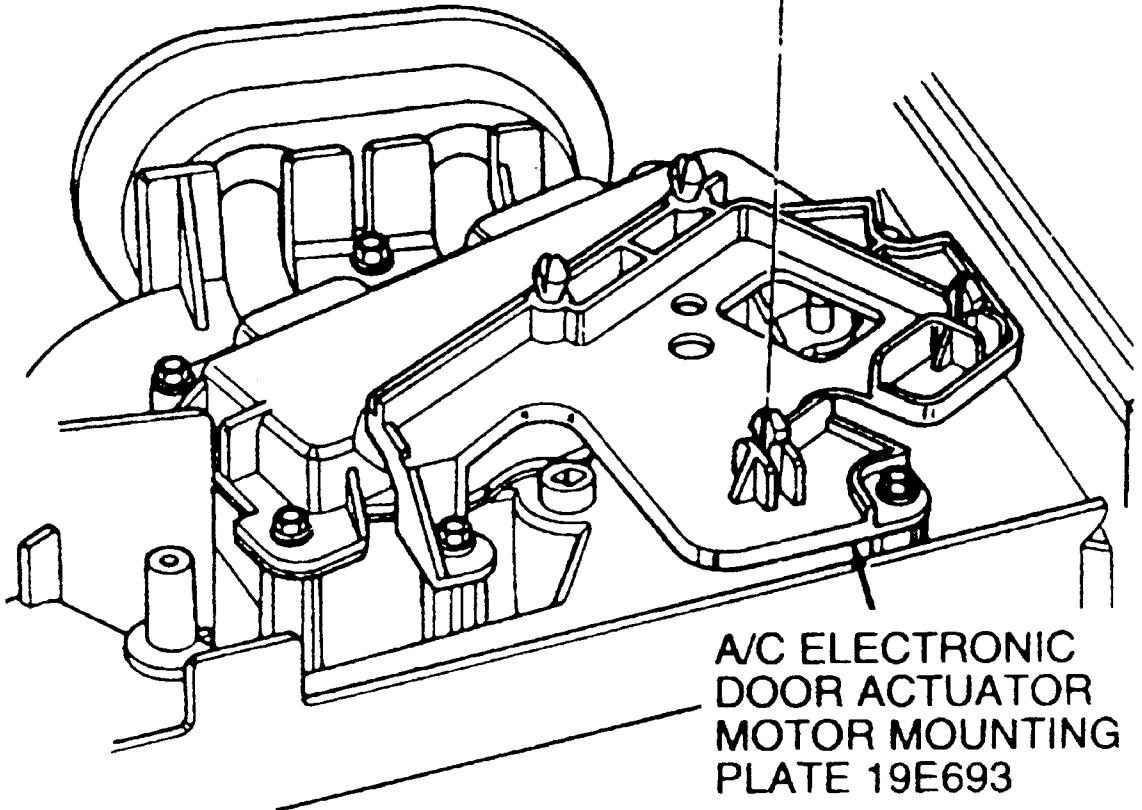
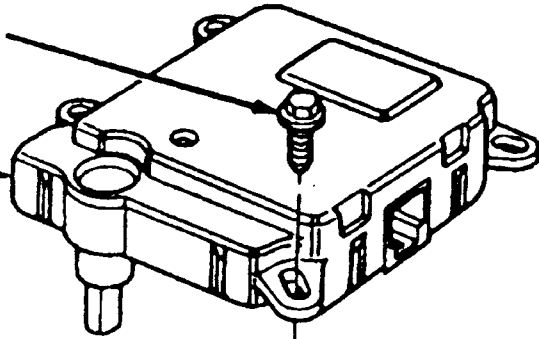


**TO REMOVE, DISENGAGE ACTUATOR
FROM BRACKET. LIFT UPWARD
1/2 INCH, THEN TOWARD PASSENGER
COMPARTMENT.**

**SCREW 42141
2 REQ'D**

**A/C ELECTRONIC
DOOR ACTUATOR
MOTOR ASSY
19E616**



**A/C ELECTRONIC
DOOR ACTUATOR
MOTOR MOUNTING
PLATE 19E693**