

LIGHTING

Headlights

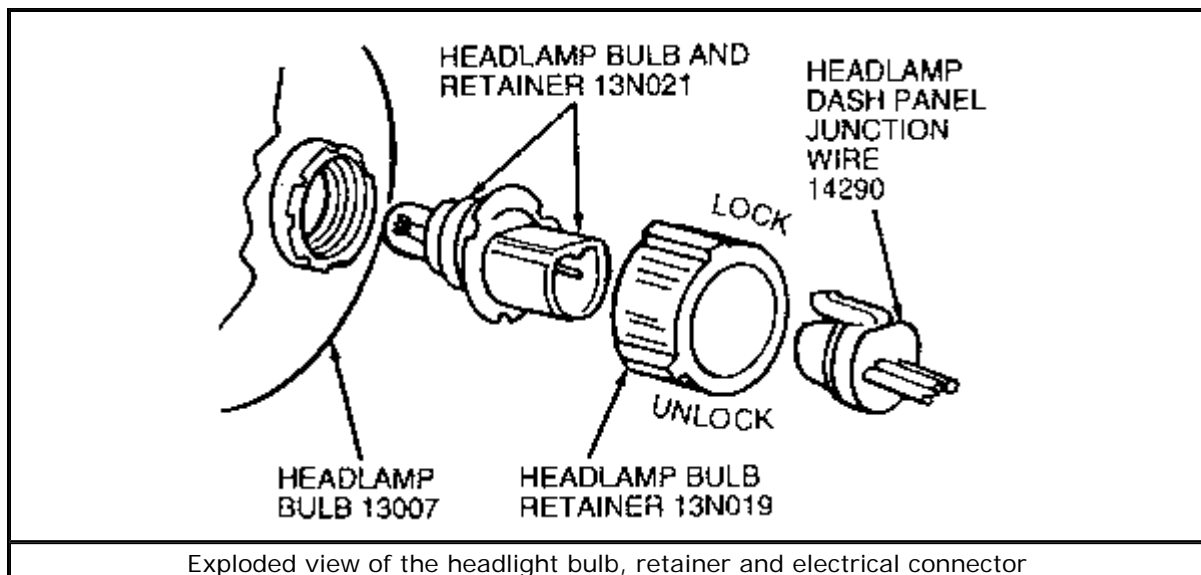
REMOVAL & INSTALLATION

Bulb Replacement

CAUTION

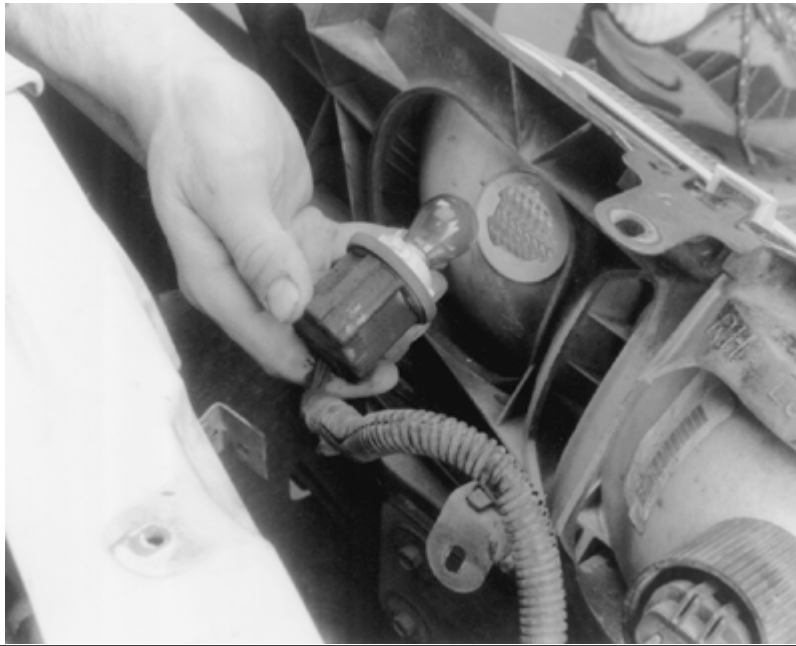
The replaceable Halogen headlamp bulb contains gas under pressure. The bulb may shatter if the glass envelope is scratched or the bulb is dropped. Handle the bulb carefully. Grasp the bulb ONLY by its plastic base. Avoid touching the glass envelope because the oils in your hand may cause the bulb to burst when turned on. Keep the bulb out of the reach of children.

1. Disconnect the negative battery cable.
2. Check to see that the headlight switch is in the OFF position.



[Click to enlarge](#)

3. Raise the hood and locate the bulb and retainer installed in the rear of the headlight body.
4. Remove the electrical connector from the bulb by grasping the wires firmly and snapping the connector rearward.



On some vehicles, such as this early model Taurus, it is possible to remove the headlight bulb and electrical connector as an assembly



After removing the bulb/connector assembly, gently pull the light bulb from the socket for replacement

5. Remove the bulb retaining ring by rotating it counterclockwise (when viewed from the rear) about $\frac{1}{8}$ of a turn, then slide the ring off the plastic base.

Keep the bulb retaining ring, since it will be reused with the new bulb.

6. Carefully remove the headlight bulb from its socket in the reflector by gently pulling it straight backward out of the socket. DO NOT rotate the bulb during removal.

To install:

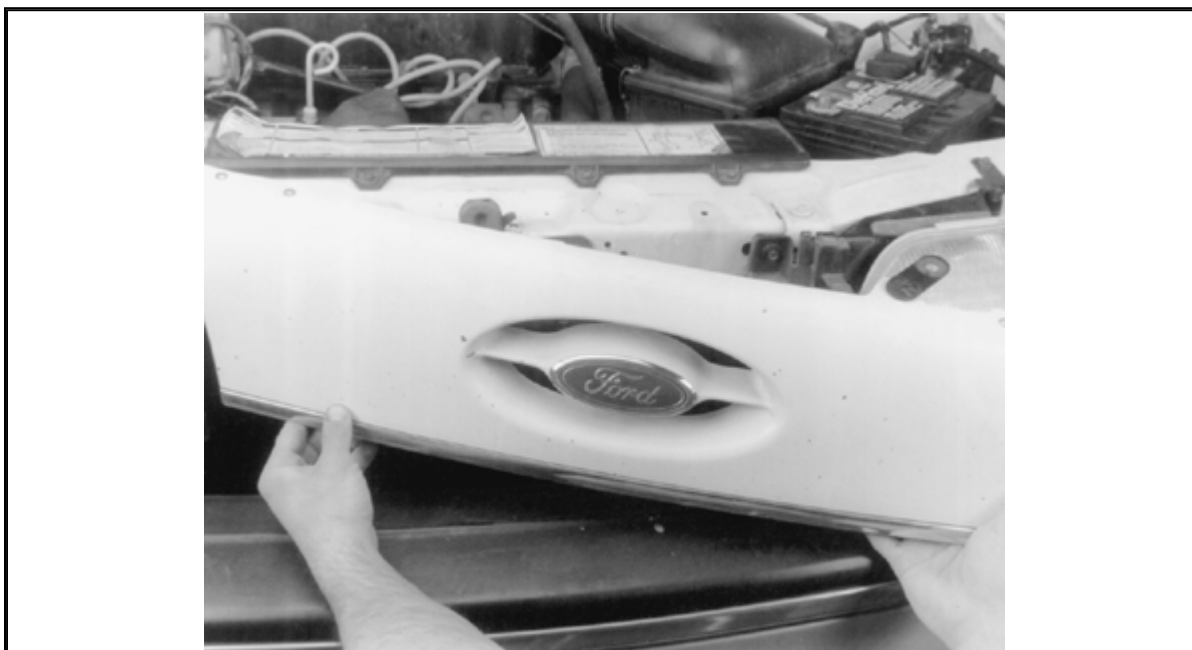
7. With the flat side of the plastic base of the bulb facing upward, insert the glass envelope of the bulb into the socket. Turn the base slightly to the left or right, if

[Click to enlarge](#)

3. Remove the electrical connector from the headlight bulb by grasping the wires firmly, then snapping the connector rearward.
4. On Taurus, remove the grille. On Sable, remove the lighted grille.



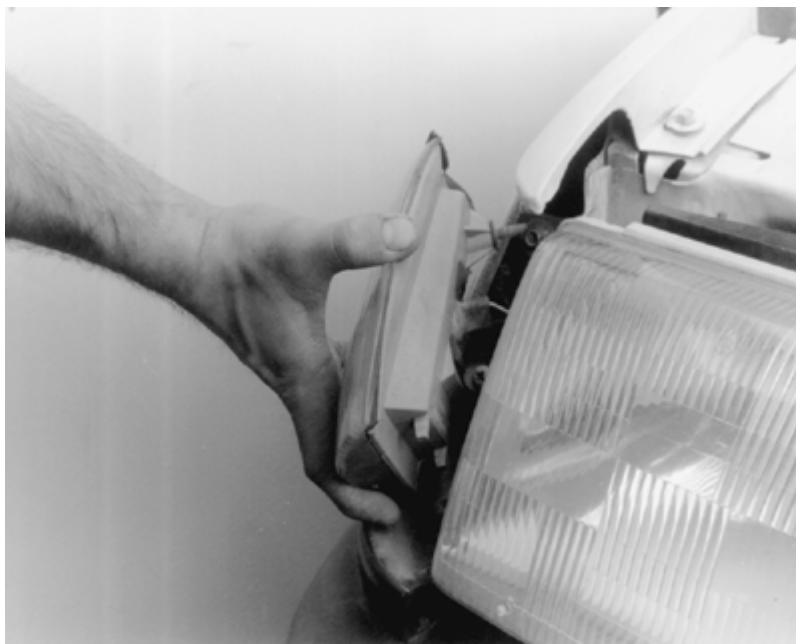
On Taurus, detach the grille retainers, then remove the grille



Once the grille is removed, you can access the headlight assembly retaining bolts and screws

5. Remove the lamp just outboard of the headlight; the side marker lamp on the Taurus, or the combination park/turn/side marker lamp on the Sable.





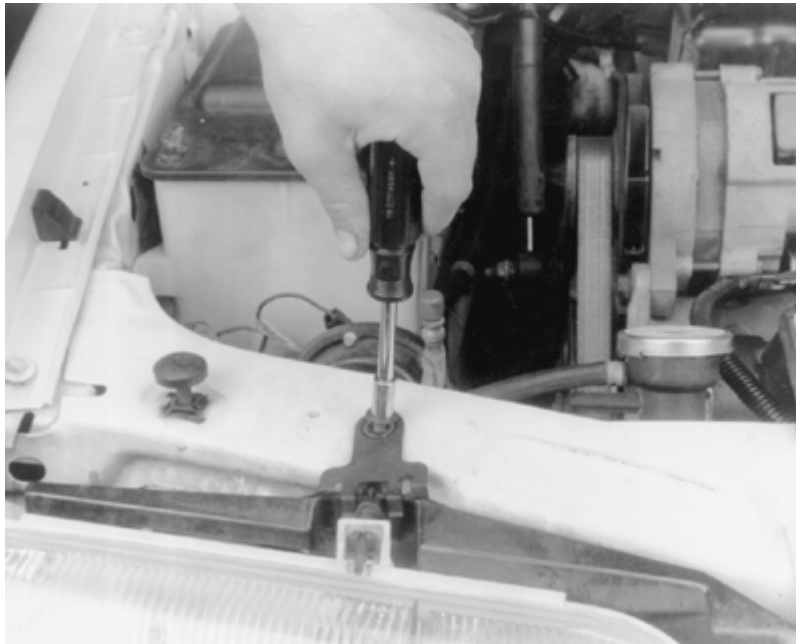
Unfasten the retainers, then remove the side marker lamp (Taurus only)

6. On the Taurus only, remove the park/turn lamp bulb and connector.
7. Remove the two bolts attaching the headlight housing to the fender.

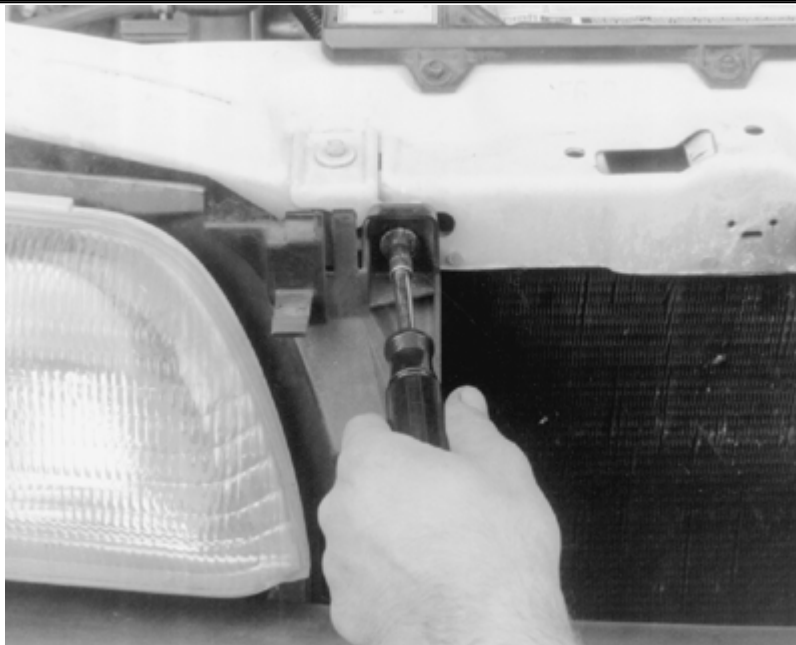


Remove the two bolts attaching the headlight housing to the fender

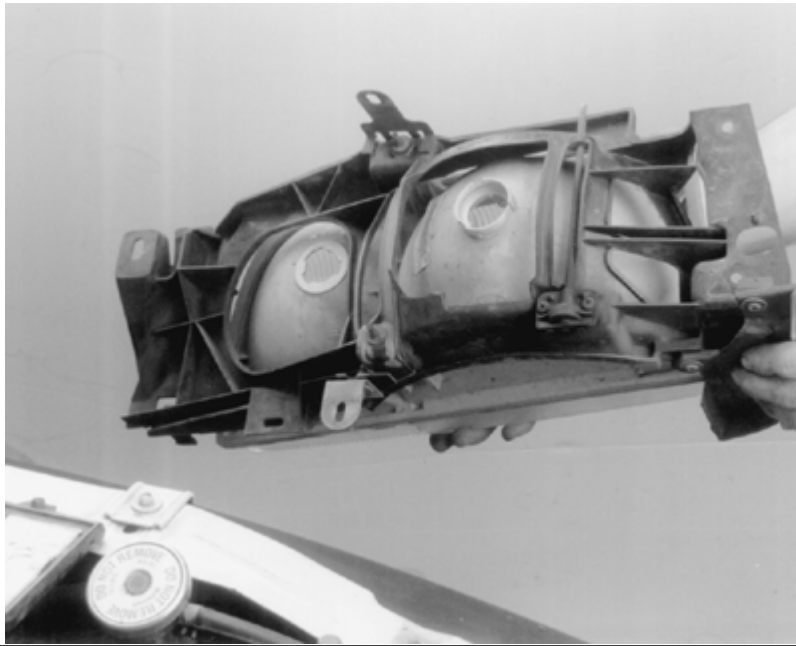
8. Remove the three bolts (Taurus) or four bolts (Sable) attaching the headlight housing to the brackets.



When removing the retaining bolts, be careful not to drop any into the engine compartment



Remove the headlight assembly retaining bolts, then ...



... remove the headlight housing from the vehicle

9. Remove the three screws attaching the lens and body assembly to the headlight housing, then remove the headlight housing.

To install:

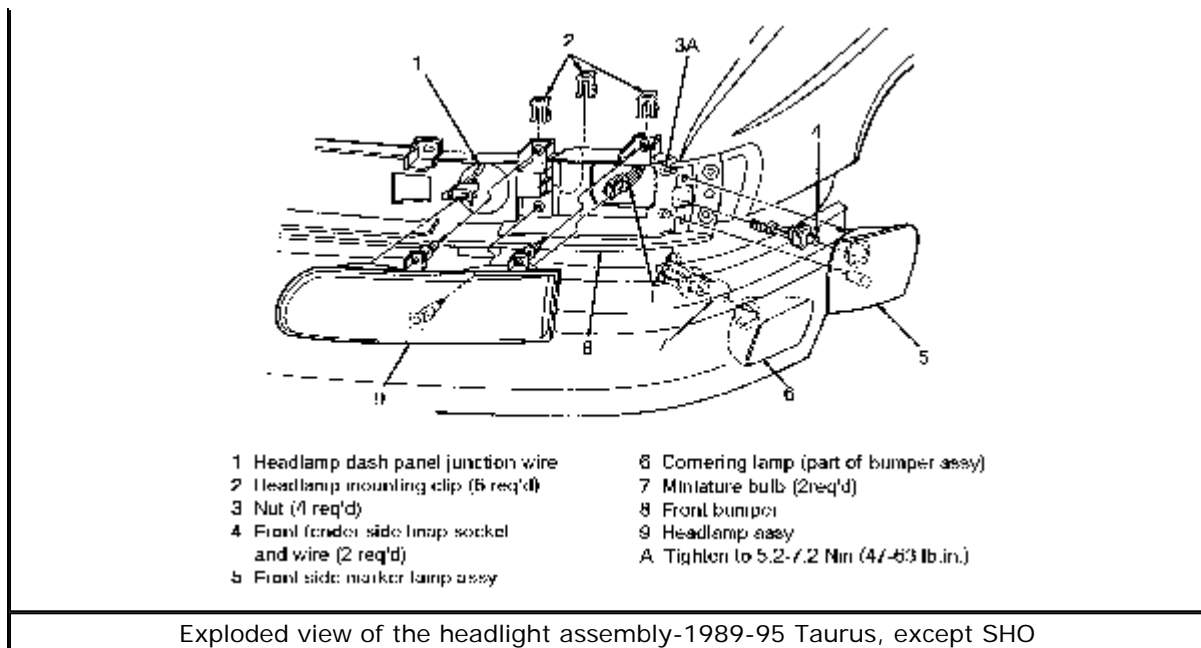
10. Position the headlight housing, then install the three screws attaching lens and body assembly.
11. Depending upon vehicle application, install the three or four bolts attaching the headlight housing to the brackets.
12. Install the two bolts attaching the headlight housing to the fender.
13. On Taurus only, install the park/turn lamp bulb and connector.
14. Install the grille or lighted grille, as applicable.
15. Engage the headlight bulb electrical connector.
16. Connect the negative battery cable, then turn on the headlights to check for proper operation and aim if necessary.

1989-95 VEHICLES

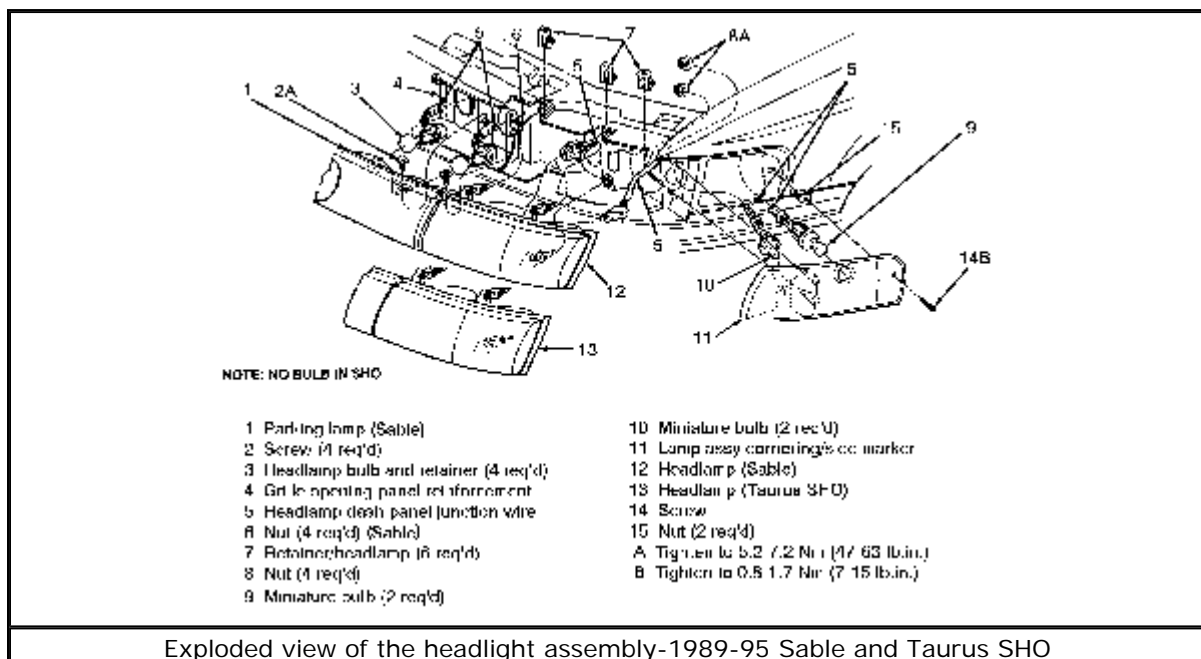
1. Disconnect the negative battery cable.
2. Make sure the headlight switch and the headlight time delay switch (if equipped) are in the OFF position.

Use snapping pliers to spread the retainer.

3. Remove the headlight electrical connector from the headlight bulb and retainer by grasping the wires firmly, then snapping the connector rearward.
4. Remove the parking lamp miniature bulb and connector.
5. Remove the three retainers holding the headlight to the radiator grille opening panel reinforcement, then remove the headlight.



[Click to enlarge](#)



[Click to enlarge](#)

To install:

6. Install the headlight and secure using the three retainers.
7. Install the parking lamp miniature bulb and connector.
8. Engage the headlight electrical connector by pushing the connector until it snaps into position.
9. Connect the negative battery cable, then turn on the headlights to check for proper operation and aim if necessary.

AIMING

The headlights must be properly aimed to provide the best, safest road illumination. The lights should be checked for proper aim and adjusted as necessary. Certain state and local authorities have requirements for headlight aiming; these should be checked before adjustment is made.

Headlight adjustment may be temporarily made using a wall, or on the rear of another vehicle. When adjusted, the lights should not glare in oncoming car or truck windshields, nor should they illuminate the passenger compartment of vehicles driving in front of you.

To aim the headlights in these vehicles, you must use Rotunda Aiming Kit 107-00001 with Adapter Kit 107-00011, or equivalent. All adjustments should be made with at least a half tank of gas in the fuel tank, an empty trunk except for the spare tire and jack and the correct tire pressures. The equipment in the aiming kit can be calibrated to accommodate a slight floor slope, but the floor should be reasonably flat. Set up and use the equipment as described in the instructions included in the headlight aiming kit.

Signal and Marker Lights

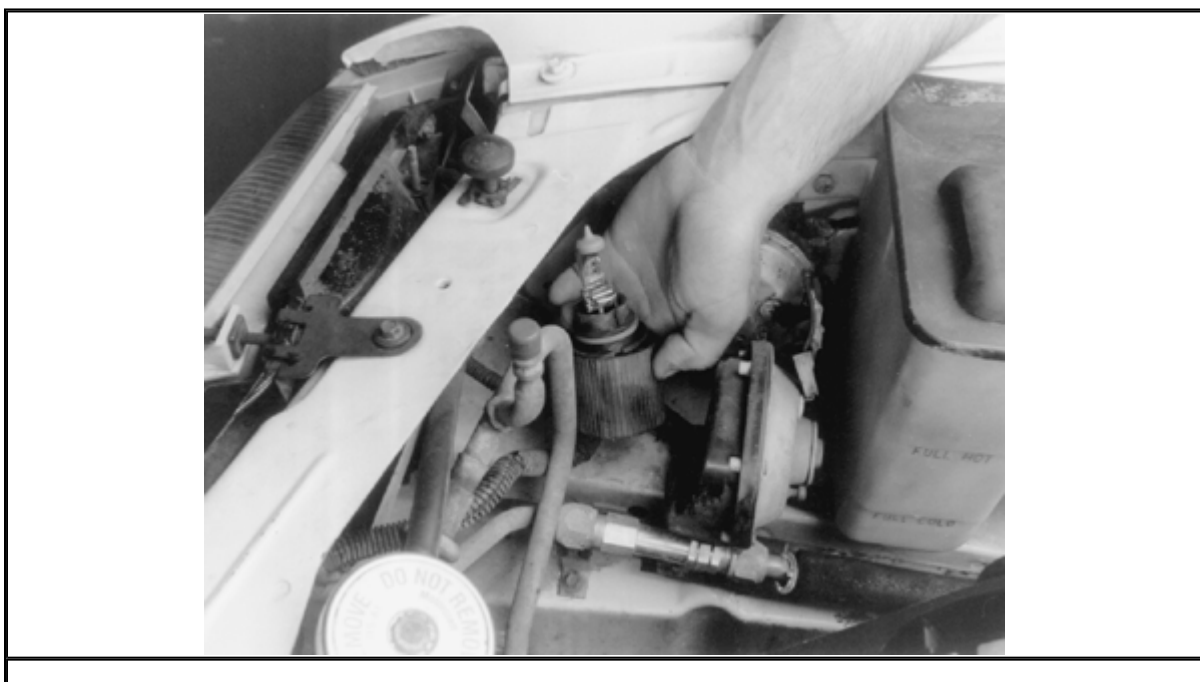
REMOVAL & INSTALLATION

Parking/Front Turn Signal Light Combination

The parking and turn signal lights share the same dual filament bulb. The parking/turn signal lamp assembly is part of the headlight assembly. To remove the parking/turn signal housing, please refer to the headlight assembly removal and installation procedure. The following procedures are for bulb replacement only.

EXCEPT 1986-88 SABLE

1. **Disconnect the negative battery cable.**
2. **Using the access hole in the radiator support, rotate the bulb socket counterclockwise to disengage it from the light housing, then remove the bulb.**



Using the access hole in the radiator support, rotate the bulb socket counterclockwise to disengage it from the light housing then ...



... remove the bulb by pulling it straight out from the socket

To install:

3. Using the access hole in the radiator support, rotate the bulb socket clockwise to engage the socket into the housing.
4. Connect the negative battery cable.

1986-88 SABLE

1. Disconnect the negative battery cable.
2. Remove the two screws attaching the parking lamp assembly, then pull it forward.
3. Remove the bulb socket by twisting, then remove the bulb.

To install:

4. Install the bulb in the socket, then install the socket in the lamp assembly by twisting.
5. Position the parking lamp in place, then install the retaining screws.
6. Connect the negative battery cable.

Side Marker Lights

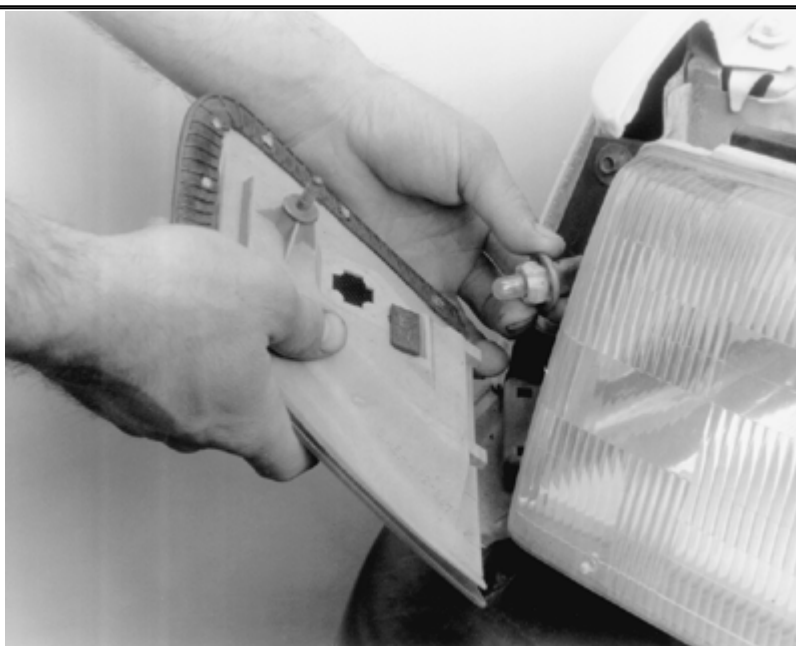
TAURUS

1. Disconnect the negative battery cable.

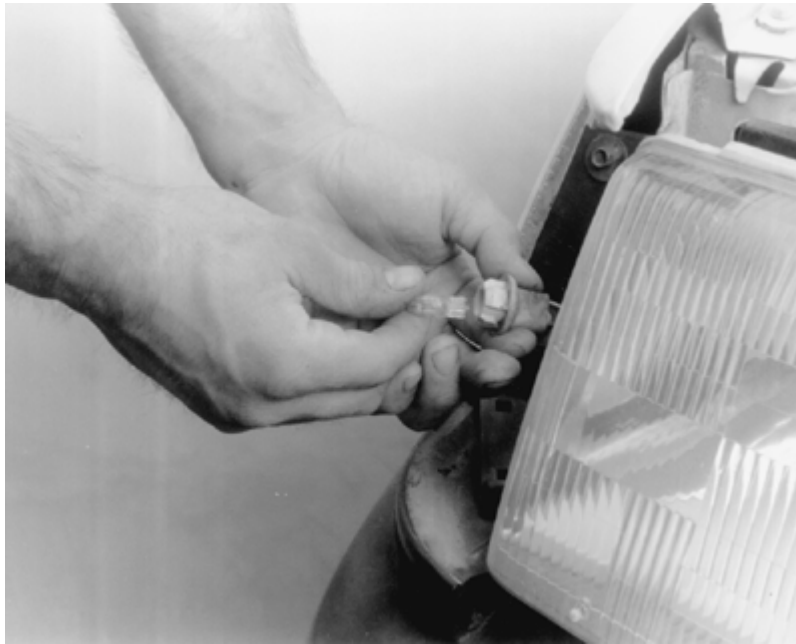


Remove the lamp to clear the tab(s) on the headlamp housing

5. Remove the socket by twisting it counterclockwise, then pull the bulb from the socket.



Remove the socket by twisting it counterclockwise



If the bulb needs to be replaced, remove it by pulling it straight out from the socket

To install:

6. Install the bulb into the socket, and install the socket by twisting it clockwise.
7. Position the lamp in place by lowering the two tabs on the lamp into the two slots on the headlamp housing.
8. Rotate the lamp inboard to allow the stud to enter the upper slot in the housing.
9. Install the nut and washer to the attaching stud, and secure them.
10. Connect the negative battery cable.

Cornering Lights

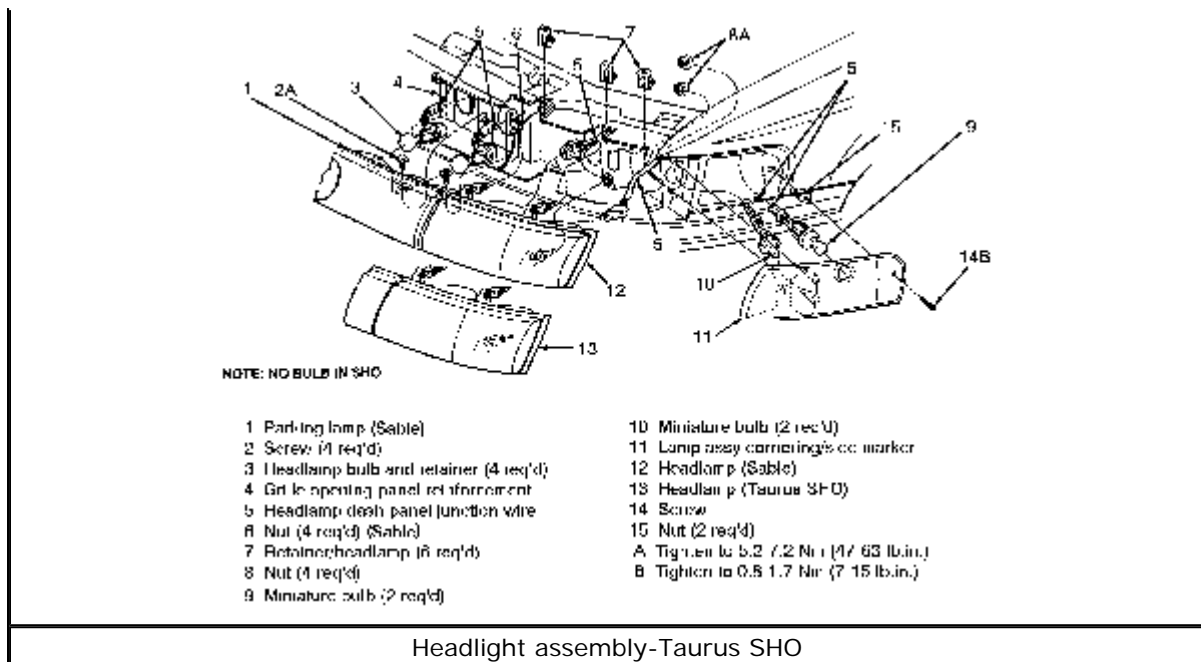
1990-95 TAURUS-EXCEPT SHO

1. Disconnect the negative battery cable.
2. Remove the cornering lamp retaining nuts/screws, then lift the cornering lamp from its mounting.
3. Remove the bulb and socket assembly by twisting counterclockwise, then remove the cornering lamp from the vehicle.
4. If necessary, remove the miniature bulb from the socket by pulling it out.

To install:

5. If necessary, install a new bulb in the socket.
6. Install the bulb and socket assembly into the cornering lamp by twisting clockwise.
7. Position the cornering lamp, then secure by installing the retaining screws/nuts.
8. Connect the negative battery cable.

SABLE AND TAURUS SHO



[Click to enlarge](#)

To install:

4. Connect the auxiliary headlight assembly using the two attaching screws.
5. Install the headlight assembly.
6. Connect the battery cable.

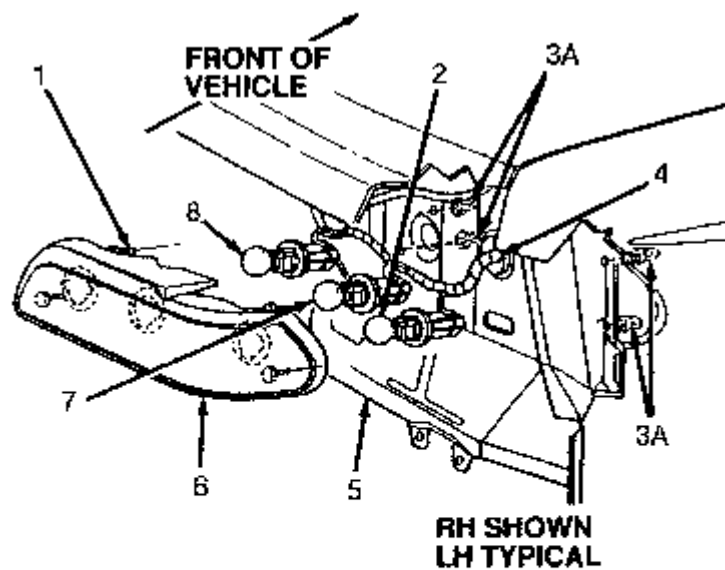
Rear Turn Signal/Brake Lights

SEDAN

Bulbs can be serviced from the inside of the luggage compartment by removing the luggage compartment rear trim panel, if so equipped.

1. Disconnect the negative battery cable.

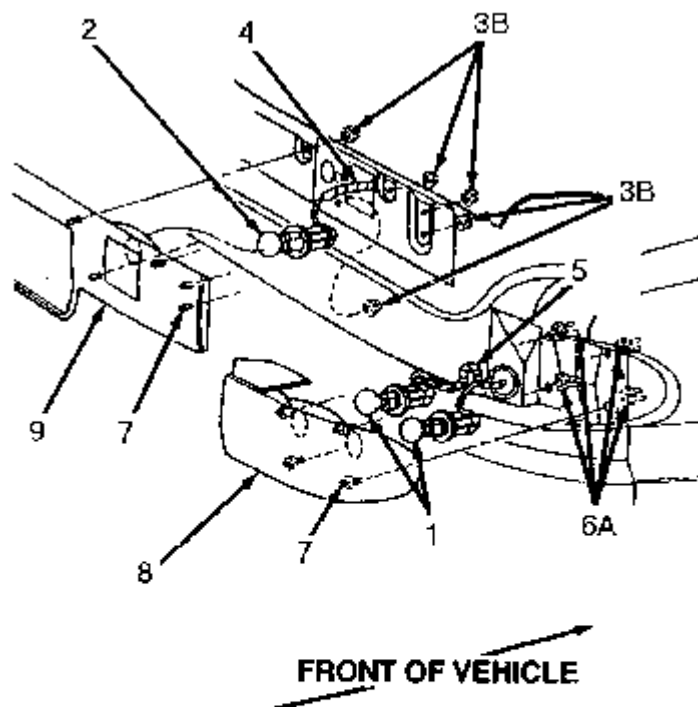


Taurus

- 1 Stud (part of lamp assy)
- 2 Miniature bulb (2 req'd)
- 3 Nut
- 4 Wiring assy rear lamp
- 5 Lower back panel
- 6 Lamp assy
- 7 Miniature bulb (2 req'd)
- 8 Miniature bulb (2 req'd)
- A Tighten to 1.6-2.2 Nm (15-19 lb.in.)

Brake light mounting-1995 Taurus shown

[Click to enlarge](#)

Sable

- 1 Miniature bulb (4 req'd)
- 2 Miniature bulb (2 req'd)
- 3 Nut (10 req'd)
- 4 Lamp socket and wiring
- 5 Rear lamp wiring
- 6 Nut (8 req'd)
- 7 Stud
- 8 Lamp
- 9 Rear lamp reflector
- A Tighten to 1.6-2.2 Nm (15-19 lb.in.)
- B Tighten to 1.2-1.8 Nm (11-15 lb.in.)

Brake light mounting-1995 Sable shown

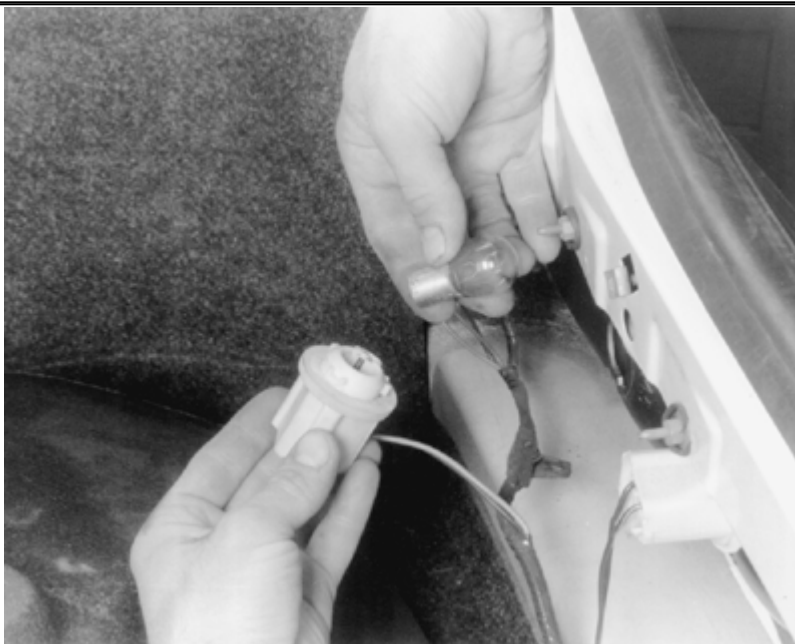
[Click to enlarge](#)

2. From inside the trunk, remove the lower back panel trim cover.



To access the rear lights, the lower back panel trim cover must be removed

3. Remove the nuts securing the rear lamp to the lower back panel, then pull the rear lamp away from the vehicle.
4. Remove the socket(s) from the lamp body and replace the bulb(s), if necessary.



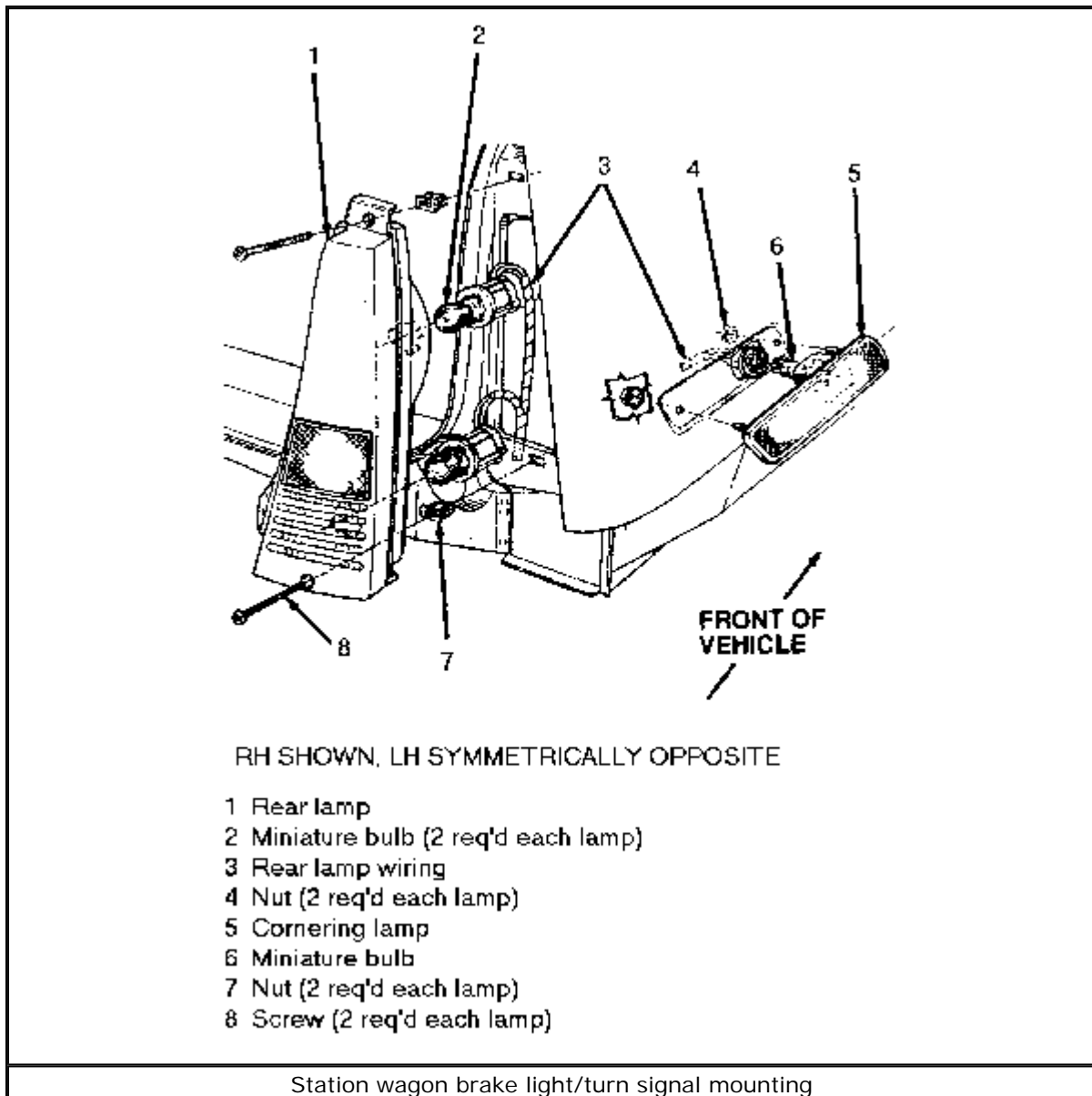
Pull the bulb straight out to remove it from the socket assembly

To install:

5. Install the bulb, if necessary, then install the socket(s) in the lamp body.
6. Install the lamp and use the retaining screws to secure it.
7. Install the trim cover, then connect the negative battery cable.

STATION WAGON

1. Disconnect the negative battery cable.
2. Remove the two screws securing the rear lamp to the quarter panel.
3. Remove the lamp socket and wiring from the lamp, then remove the lamp from the vehicle.



[Click to enlarge](#)

4. If necessary, replace the bulb.

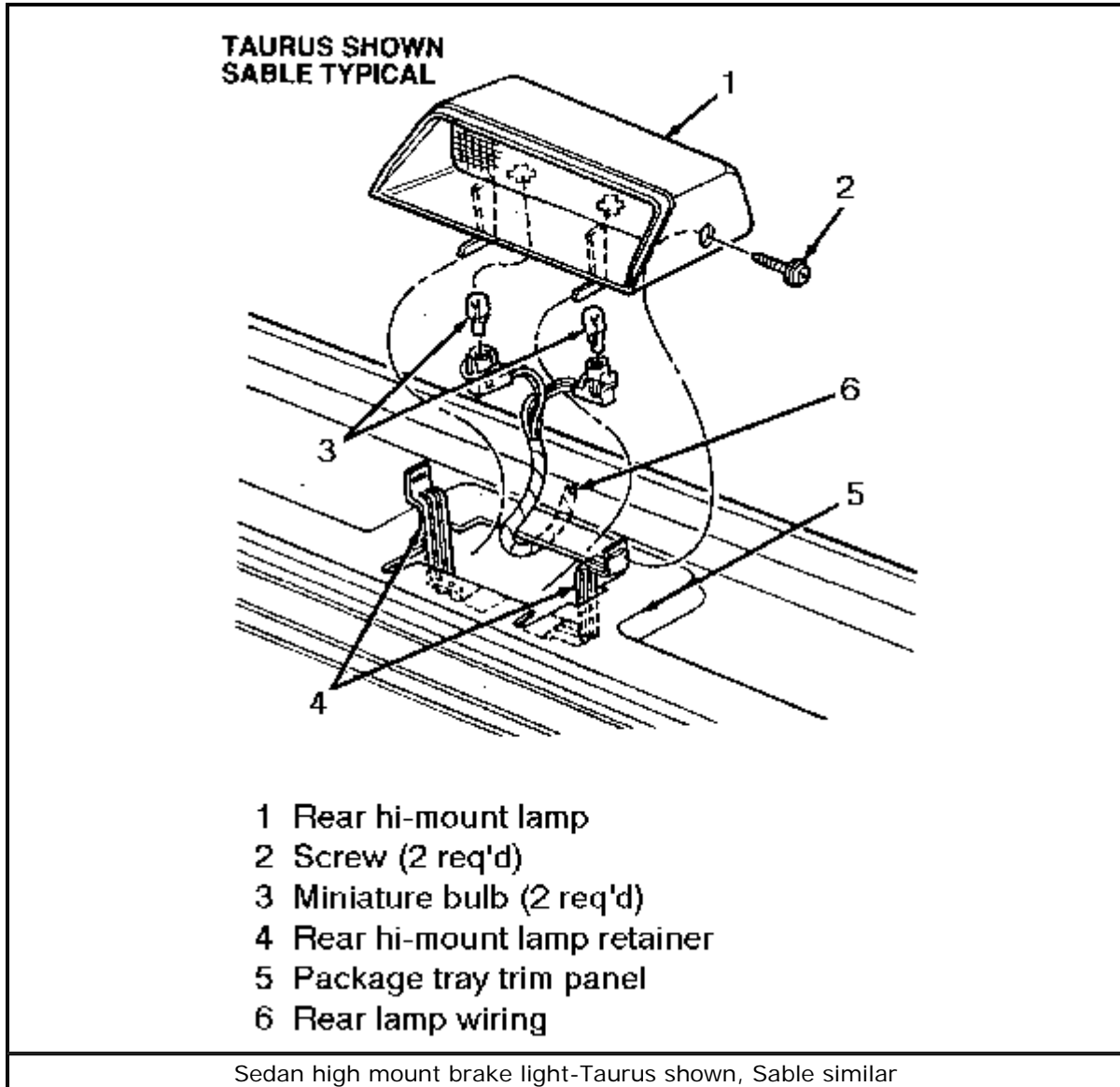
To install:

5. Install the lamp socket and wiring to the rear lamp.
6. Position the rear lamp to the quarter panel, then secure using the two retaining screws.
7. Connect the negative battery cable.

High Mount Brake Light

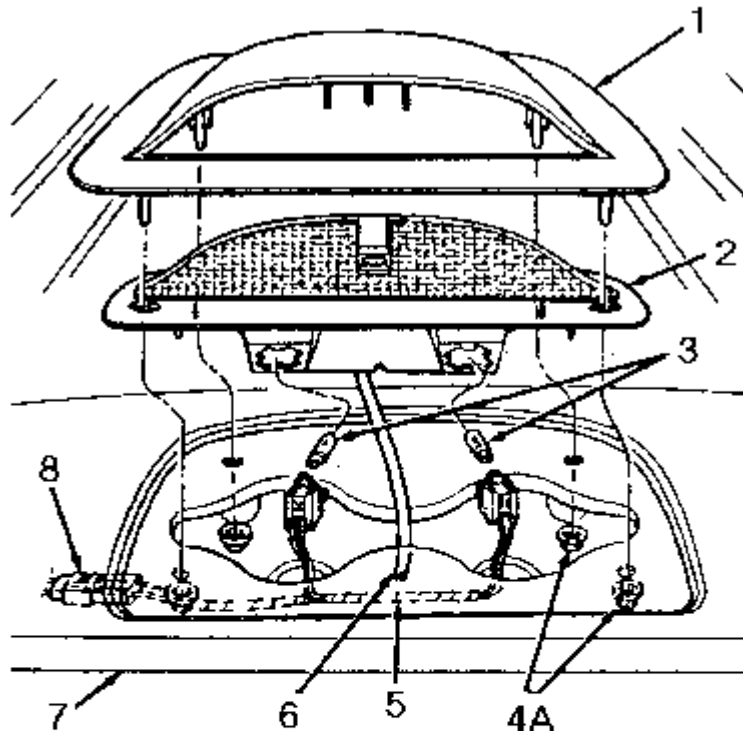
EXCEPT SHO

1. Disconnect the negative battery cable.
2. On the sedan, remove the two covers and screws that retain the lamp assembly to the retainer, then disengage the electrical connector.



[Click to enlarge](#)

3. On the wagon, remove the lamp assembly trim cover at the top of the liftgate frame. Remove the two plugs, then remove the four retaining nuts retaining the lamp trim cover.



- 1 Rear hi-mount lamp cover
- 2 Rear hi-mount lamp
- 3 Miniature bulb
- 4 Nuts (4 req'd)
- 5 Rear hi-mount lamp wiring
- 6 Window washer hose
- 7 Liftgate
- 8 Rear lamp extension wiring
- A Tighten to 2-2.8 Nm (18-24 lb.in.)

Station wagon high mount brake light

[Click to enlarge](#)

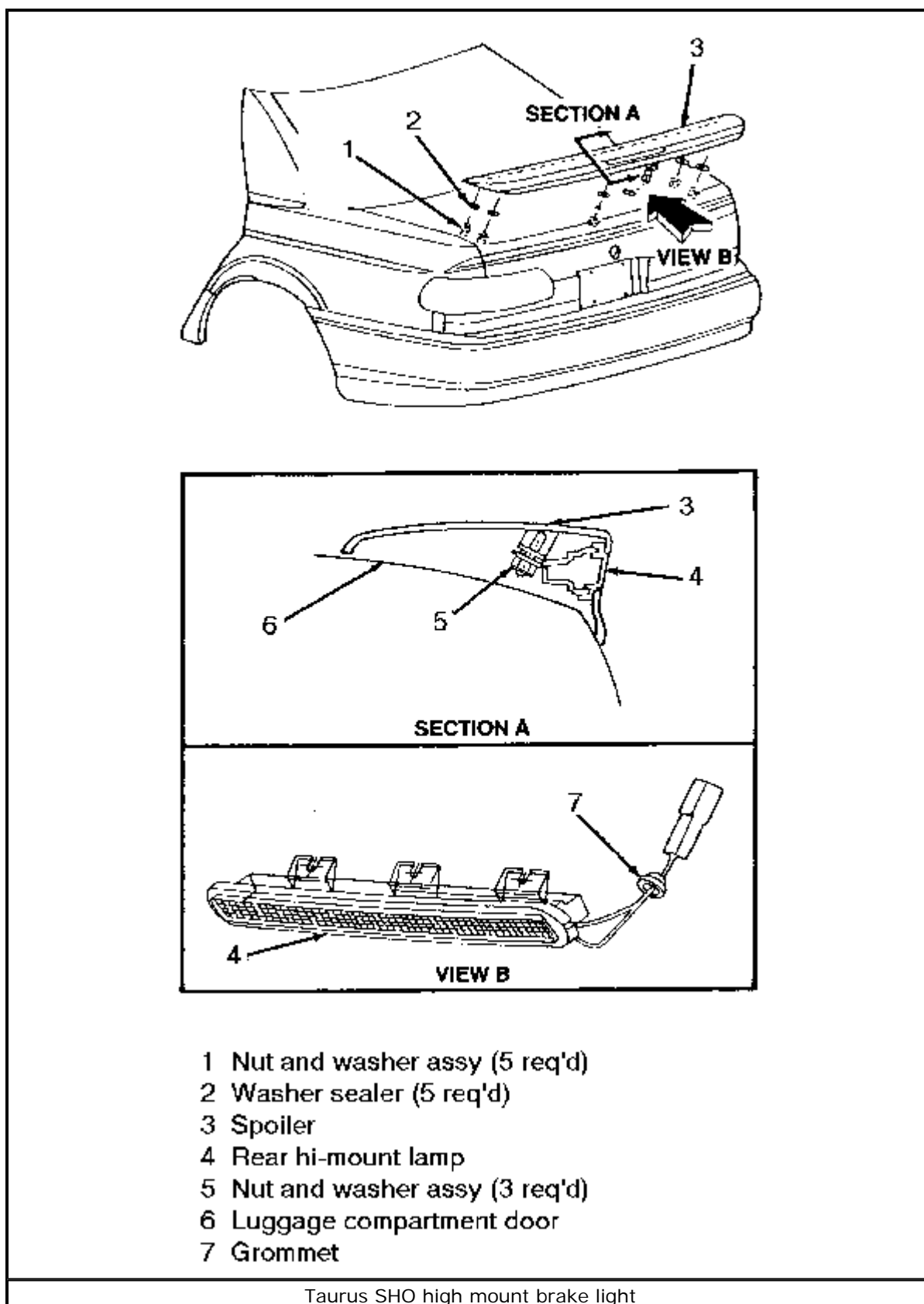
4. Remove the lamp assembly from its mounting.
5. Installation is the reverse of the removal procedure.

SHO VEHICLES

The Taurus SHO is equipped with a high-mount brake light which is part of the spoiler.

1. Disconnect the negative battery cable.
2. From inside the luggage compartment, disengage the wiring connector, then remove the five nuts retaining the spoiler to the trunk lid.
3. Lower the trunk lid and carefully lift up the spoiler and pull the wiring grommet out of the luggage compartment door, then remove the spoiler from the trunk lid.
4. Turn the spoiler over, then lay it on a protective surface to avoid scratching it.

5. Remove the three nuts retaining the rear high-mount brake light to the spoiler, then remove the light from the spoiler.



[Click to enlarge](#)

To install:

6. Position the rear-high mount lamp to the spoiler, then install the three retaining nuts and tighten the lamp securely to the spoiler.

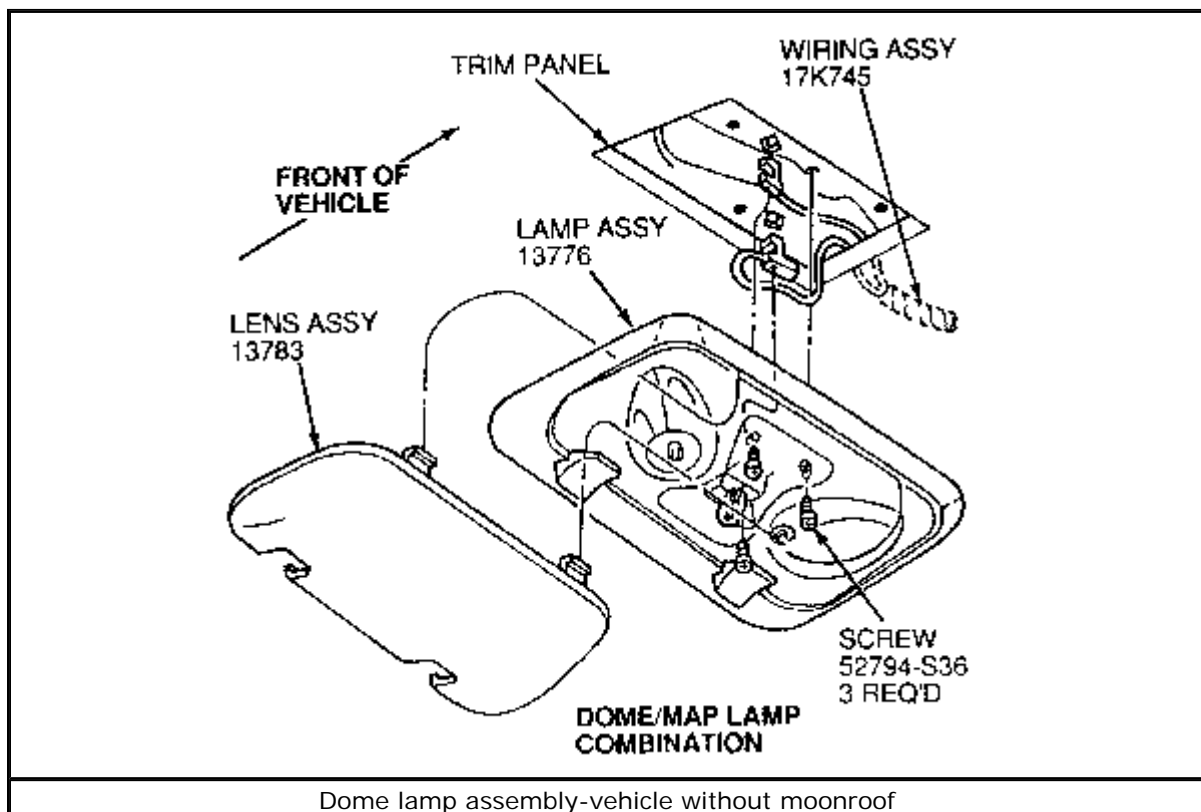
Make sure the sealer washers are on the five studs before setting it on the trunk lid.

7. Align the studs on the spoiler to the holes in the luggage compartment door, route the wiring through hole in the trunk lid, then install the grommet.
8. Engage the electrical wiring connector.
9. Connect the negative battery cable, then depress the brake pedal to make sure the rear hi-mount lamp is functioning properly.

Dome Light

WITHOUT MOONROOF

1. Disconnect the negative battery cable.
2. Carefully squeeze the lens inward to release the locking tabs.

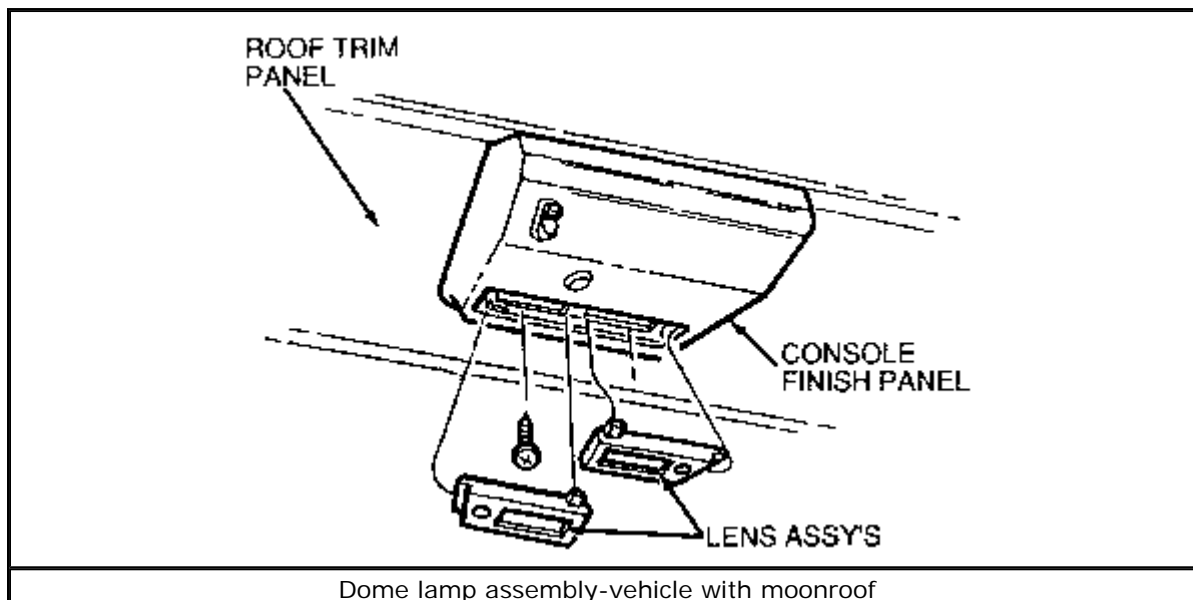


[Click to enlarge](#)

3. Remove the lens from the lamp body. If necessary, replace the defective bulb.
4. Installation is the reverse of the removal procedure.

WITH MOONROOF

1. Disconnect the negative battery cable.
2. Use a thin bladed tool and carefully pry out and unsnap the lens.
3. Replace the defective bulb.

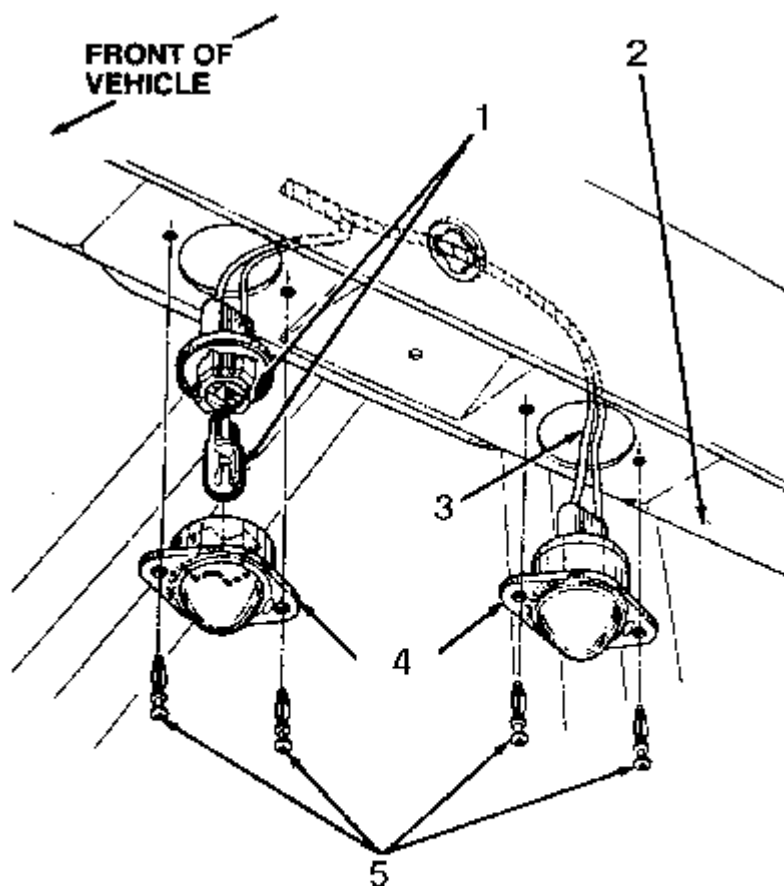


[Click to enlarge](#)

4. Installation is the reverse of the removal procedure.

License Plate Lights

1. Disconnect the negative battery cable.
2. Remove the two lamp body plastic retaining rivets.
3. Remove the lamp assembly.

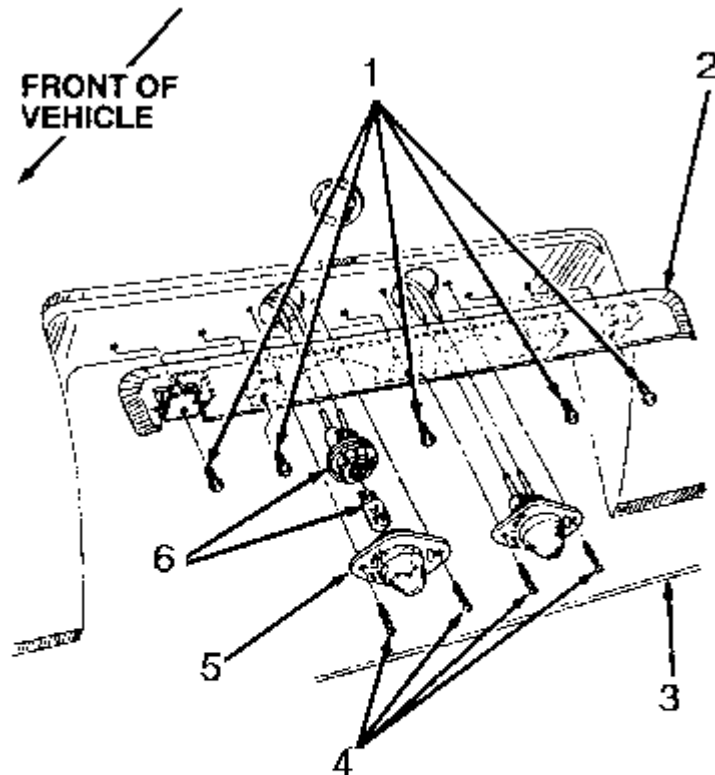


- 1 Miniature bulb
- 2 Luggage compartment door
- 3 Lamp socket and wiring
- 4 Lamp
- 5 Rivet (4 req'd)

License plate lamp-sedan

[Click to enlarge](#)

4. Remove the socket and bulb assembly from the rear of the lamp assembly. If necessary, replace the defective bulb.



- 1 Screw (5 req'd)
- 2 Rear license plate lamp shield
- 3 Luggage compartment door
- 4 Rivet (4 req'd)
- 5 Lamp
- 6 Miniature bulb

License plate lamp-station wagon

[Click to enlarge](#)

To install:

5. Install the socket and bulb assembly to the lamp assembly.
6. Install the lamp assembly, then secure using the plastic rivets.
7. Connect the negative battery cable.

Fog/Driving Lights

The Taurus SHO is the only vehicle covered by this manual which is equipped with fog lamps.

REMOVAL & INSTALLATION

Fog Lamp Bulb

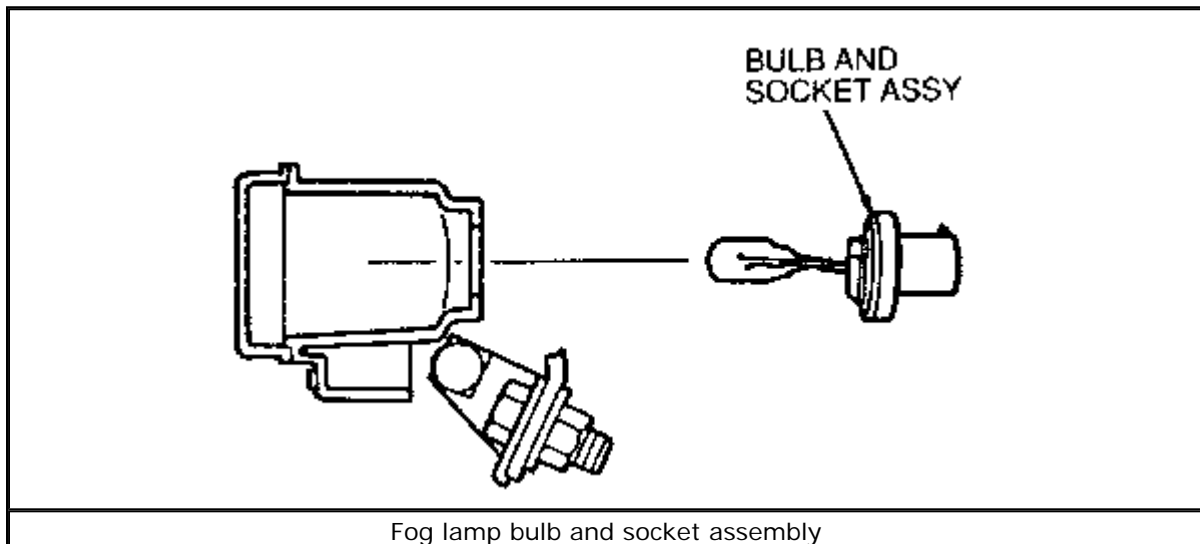
If you are only replacing the bulb, you don't have to remove the fog lamp

mounting bracket or fog lamp assembly.

1. Disconnect the negative battery cable.
2. Disengage the electrical wiring connector from the fog lamp miniature bulb.

Do NOT touch the glass part of the fog lamp bulb. Grasp the bulb by its plastic base only.

3. By grasping the bulb and socket by the plastic base only, rotate the miniature bulb and socket, then remove the bulb from the fog lamp.



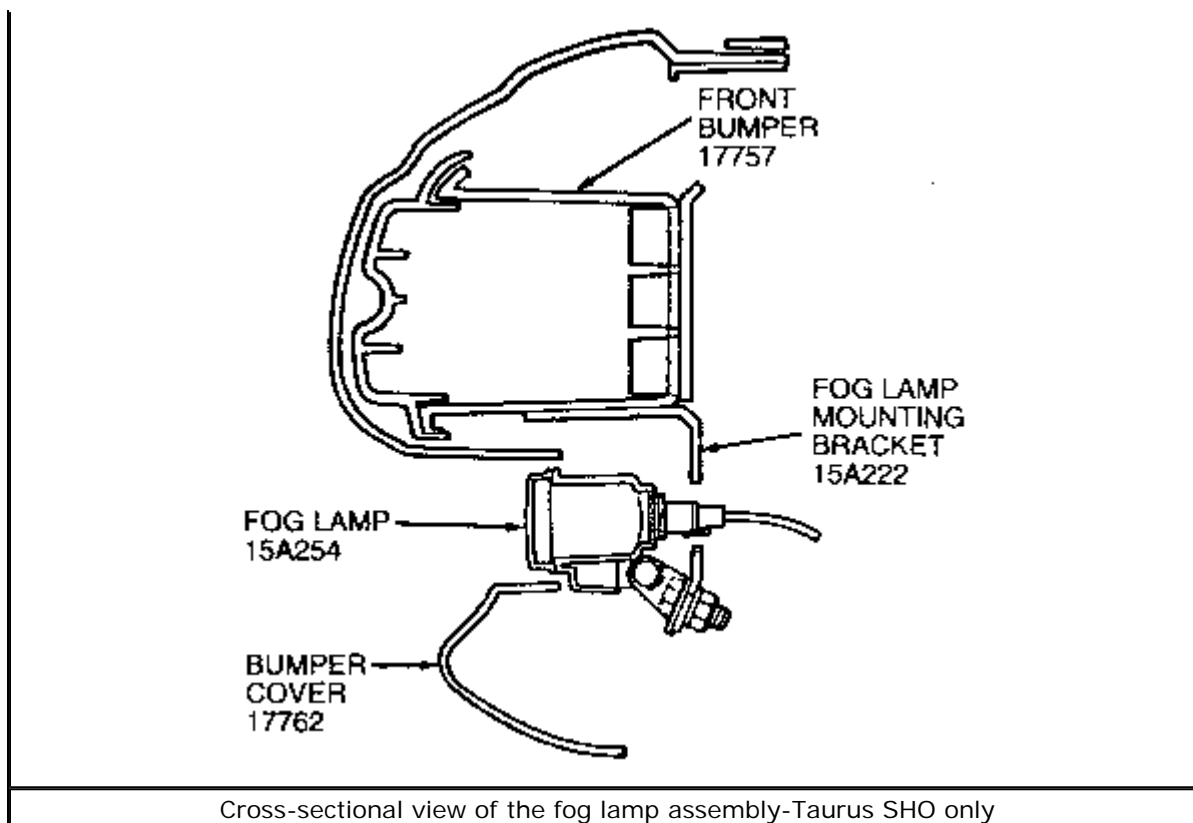
To install:

4. Install the bulb to the socket assembly. The socket assembly is indexed, and can only be installed in one way.
5. Engage the electrical wiring connector to the fog lamp miniature bulb.
6. Connect the negative battery cable.

Fog Lamp Assembly

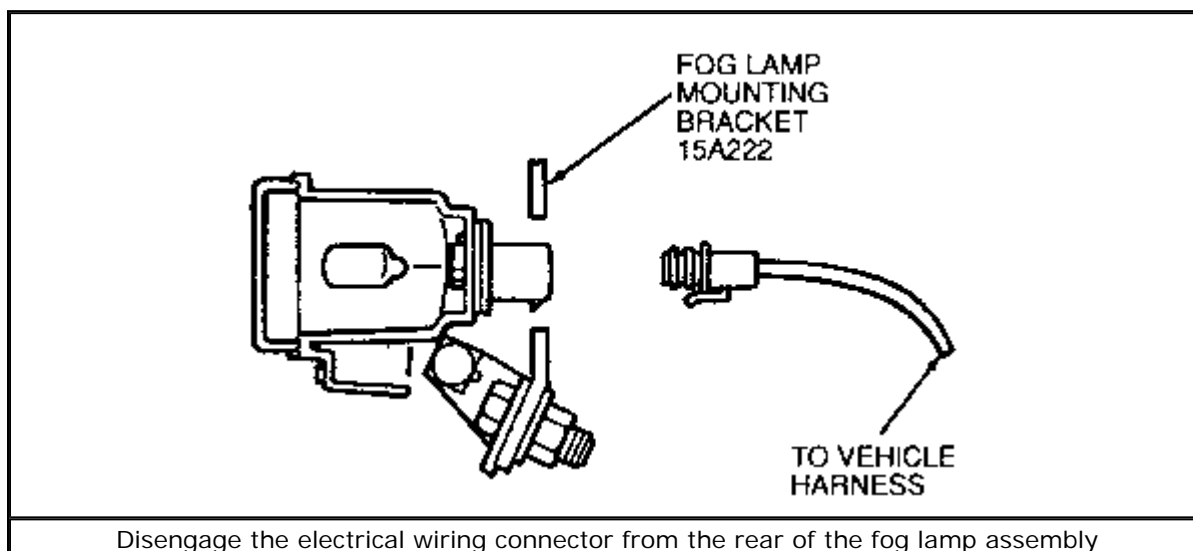
1. Disconnect the negative battery cable.





[Click to enlarge](#)

2. Disengage the fog lamp electrical wiring connector.



[Click to enlarge](#)

3. From under the front bumper cover, remove nut(s) retaining the fog lamp to the mounting bracket.
4. Slide the fog lamp out of the fog lamp mounting bracket assembly, then remove the lamp from the vehicle.
5. If replacing the fog lamp mounting bracket, remove the screw retaining the mounting bracket to the front bumper, then keep the mounting bracket and screw for the transfer of parts.

To install:

- 6. If removed, position the fog lamp mounting bracket, then secure to the front bumper using the retaining screw.**
 - 7. Slide the fog lamp assembly into the mounting bracket assembly, then install the nut(s) retaining the fog lamp to the mounting bracket.**
 - 8. Engage the fog lamp electrical wiring connector.**
 - 9. Connect the negative battery cable.**
-

Chilton® Automotive Information Systems. © 2004 Thomson Delmar Learning.