

## ENTERTAINMENT SYSTEMS

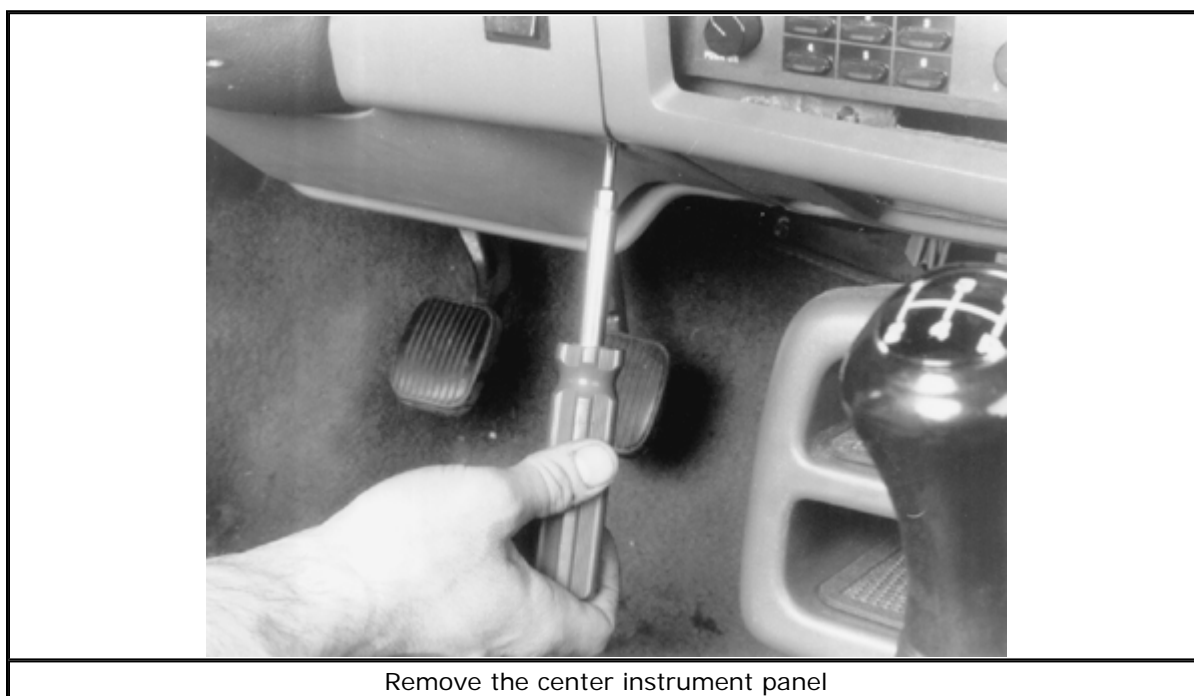
---

### Radio Receiver/Tape Player

#### REMOVAL & INSTALLATION

##### 1986-89 Vehicles

1. Disconnect the negative battery cable.
2. Remove the trim panel-to-center instrument panel.



3. Remove the radio/bracket-to-instrument panel retaining screws.



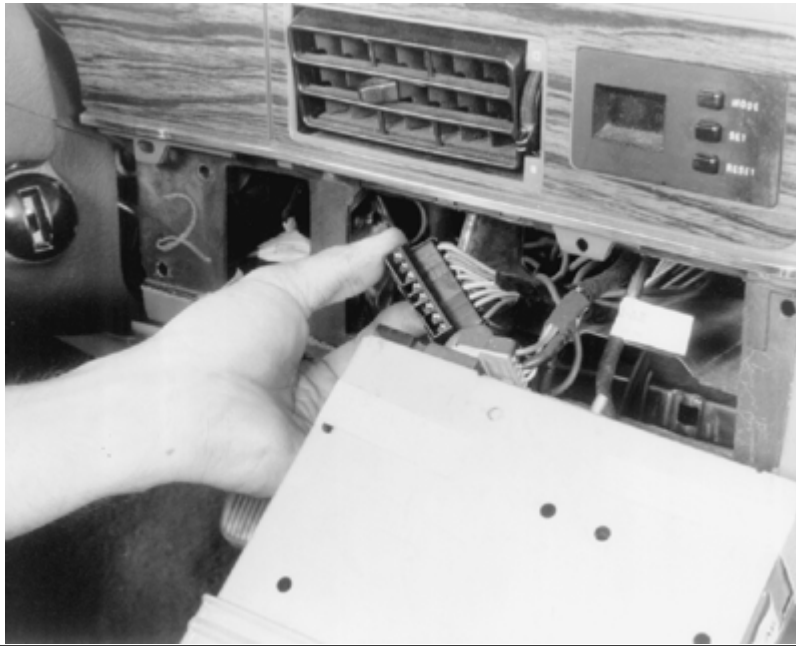


Remove the four screws retaining the radio and mounting bracket to the instrument panel

4. Push the radio toward the front, then raise the rear of the radio slightly so that the rear support bracket clears the clip in the instrument panel. Slowly, pull the radio from the instrument panel.
5. Disengage the electrical connectors and the antenna cable from the radio.



Disconnect the antenna cable from the radio



Disengage the electrical connector from the radio

**To install:**

6. Engage the wiring connectors and antenna cable to the radio.
7. Slide the radio into the instrument panel, keeping the rear of the radio slightly raised to engage the rear mounting bracket to clip in the instrument panel.
8. Install the four retaining screws, then torque the radio/bracket-to-instrument panel screws to 14-16 inch lbs. (1.6-1.8 Nm).
9. Install the center instrument trim panel.
10. Connect the negative battery cable, then test the radio/tape player for operation.

## Radio Receiver/CD Player

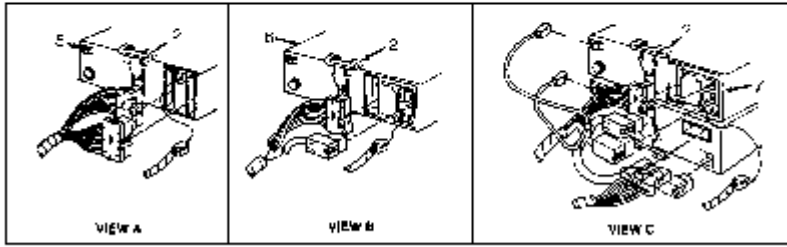
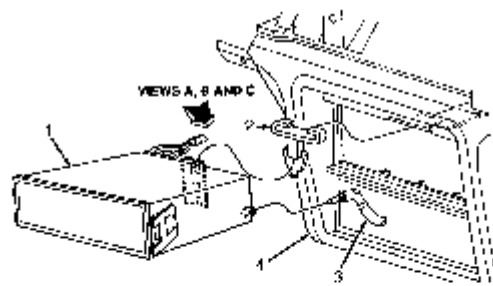
### REMOVAL & INSTALLATION

#### 1990-95 Vehicles

1. Disconnect the negative battery cable.
2. Install Radio Removal Tool T87P-19061-A into the radio or CD player face plate. Push the tool in about 1 in. (25mm) in order to release the retaining clips.

Do not use excessive force when installing the special tool because this will cause damage to the retaining clips.

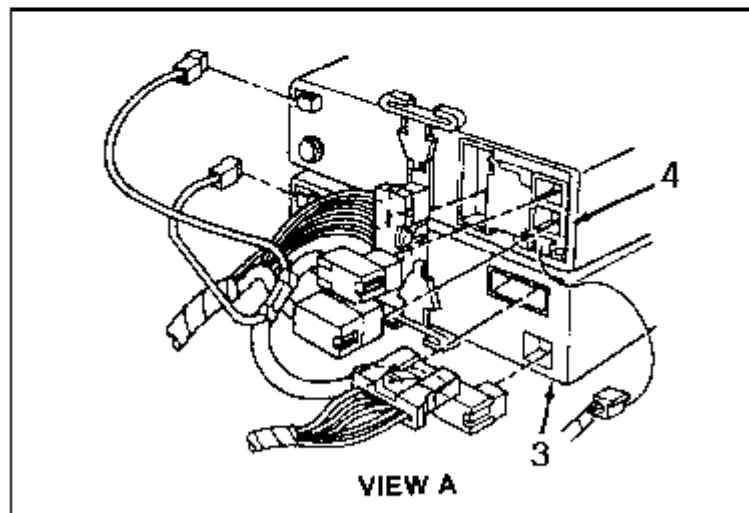
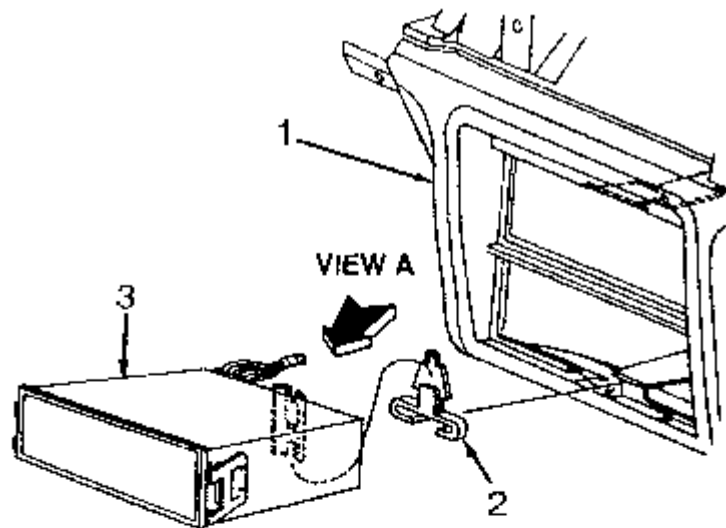
3. Apply a light spreading force to the tool, then pull the assembly out from the instrument panel.
4. Disengage the electrical wiring connectors and the antenna wire from the assembly, then remove the radio or CD player from the vehicle.



- |  |  |
|--|--|
| <ul style="list-style-type: none"> <li>1 ESR radio chassis, ESC radio chassis, or PAC radio chassis</li> <li>2 Radio chassis support</li> <li>3 Radio antenna lead in cable</li> </ul> | <ul style="list-style-type: none"> <li>4 Instrument pane</li> <li>5 ESR radio chassis</li> <li>6 ESC radio chassis</li> <li>7 PAC radio chassis</li> </ul> |
|--|--|

Common radio assembly and mounting

[Click to enlarge](#)



- 1 Instrument panel
- 2 Radio chassis support
- 3 Digital audio compact disc player
- 4 PAC radio chassis

Compact disc player mounting

[Click to enlarge](#)

**To install:**

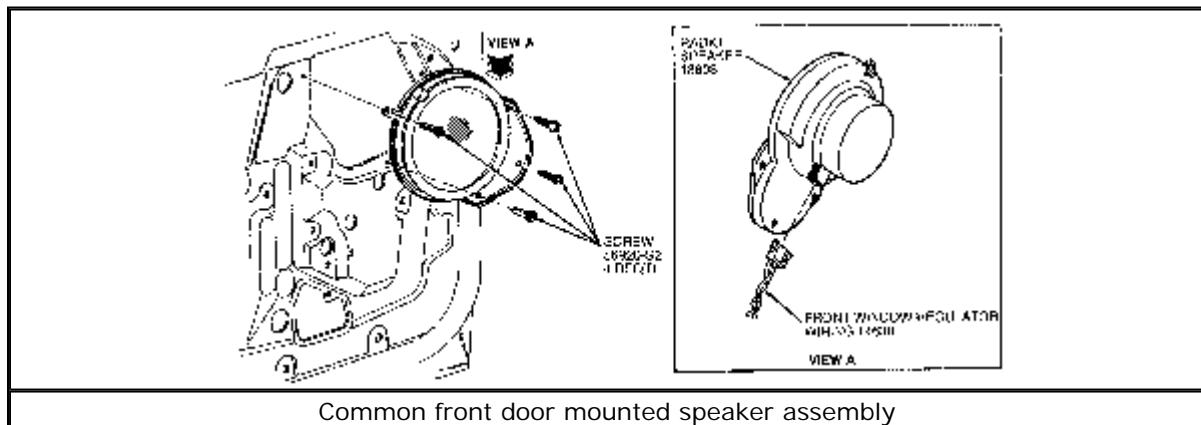
5. Engage the electrical wiring connectors, then connect the antennal cable to the radio or CD player assembly.
6. Slide the assembly into the instrument panel, making sure that the rear radio or CD player assembly support is engaged on the upper support rail.
7. Push the radio or CD player assembly inward until the retaining clips are fully engaged.
8. Connect the negative battery cable. Test the radio and/or CD player for operation.

## Speakers

### REMOVAL & INSTALLATION

#### Door Mounted

1. Disconnect the negative battery cable.
2. Remove the front door trim panel.
3. Remove the screws retaining the speaker to its mounting bracket.
4. Pull the speaker away from the mounting bracket far enough to disconnect the speaker electrical wires.



[Click to enlarge](#)

5. Remove the speaker from the vehicle.

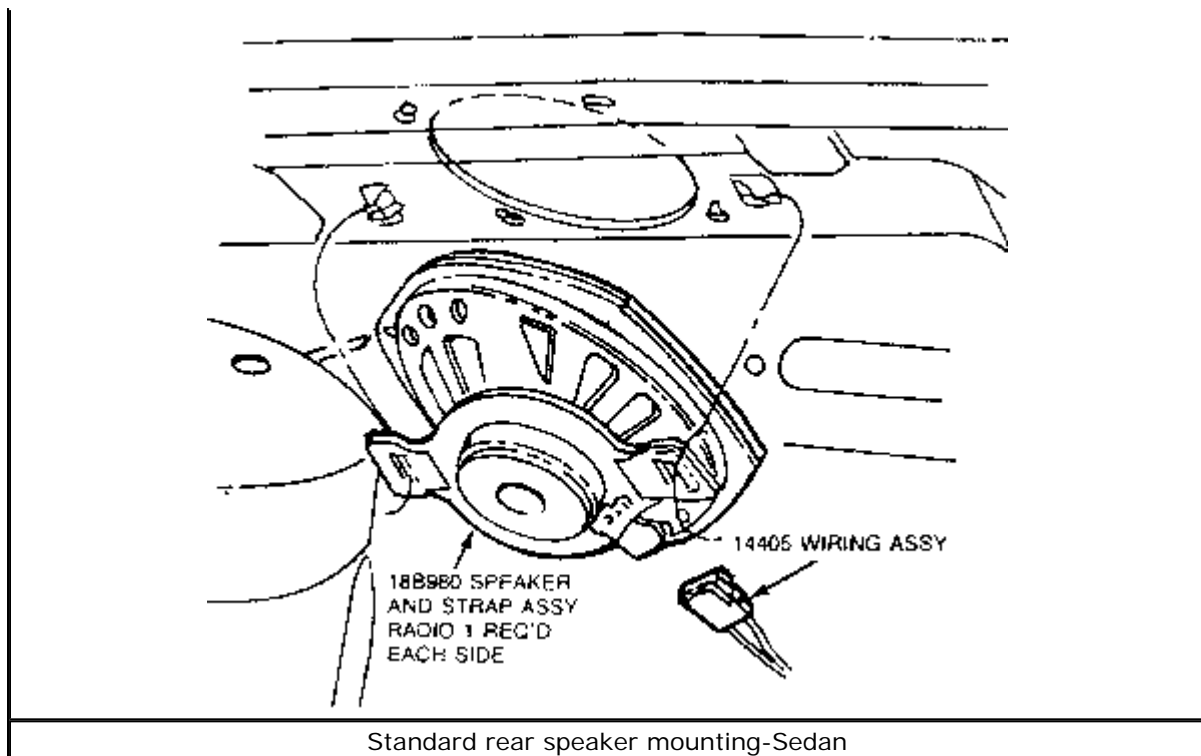
To install:

6. Connect the speaker electrical wires, then install the speaker to the mounting bracket using the retaining screws.
7. Install the front door trim panel.
8. Connect the negative battery cable.

#### Rear Seat Mounted

##### STANDARD SPEAKER

1. Disconnect the negative battery cable.
2. From the inside of the trunk, disconnect the speaker wiring harness from the speaker.
3. Remove the speaker cover.
4. Pull one end of the speaker rubber retaining strap to disengage it from the tab on the package tray, then remove the speaker from the vehicle.



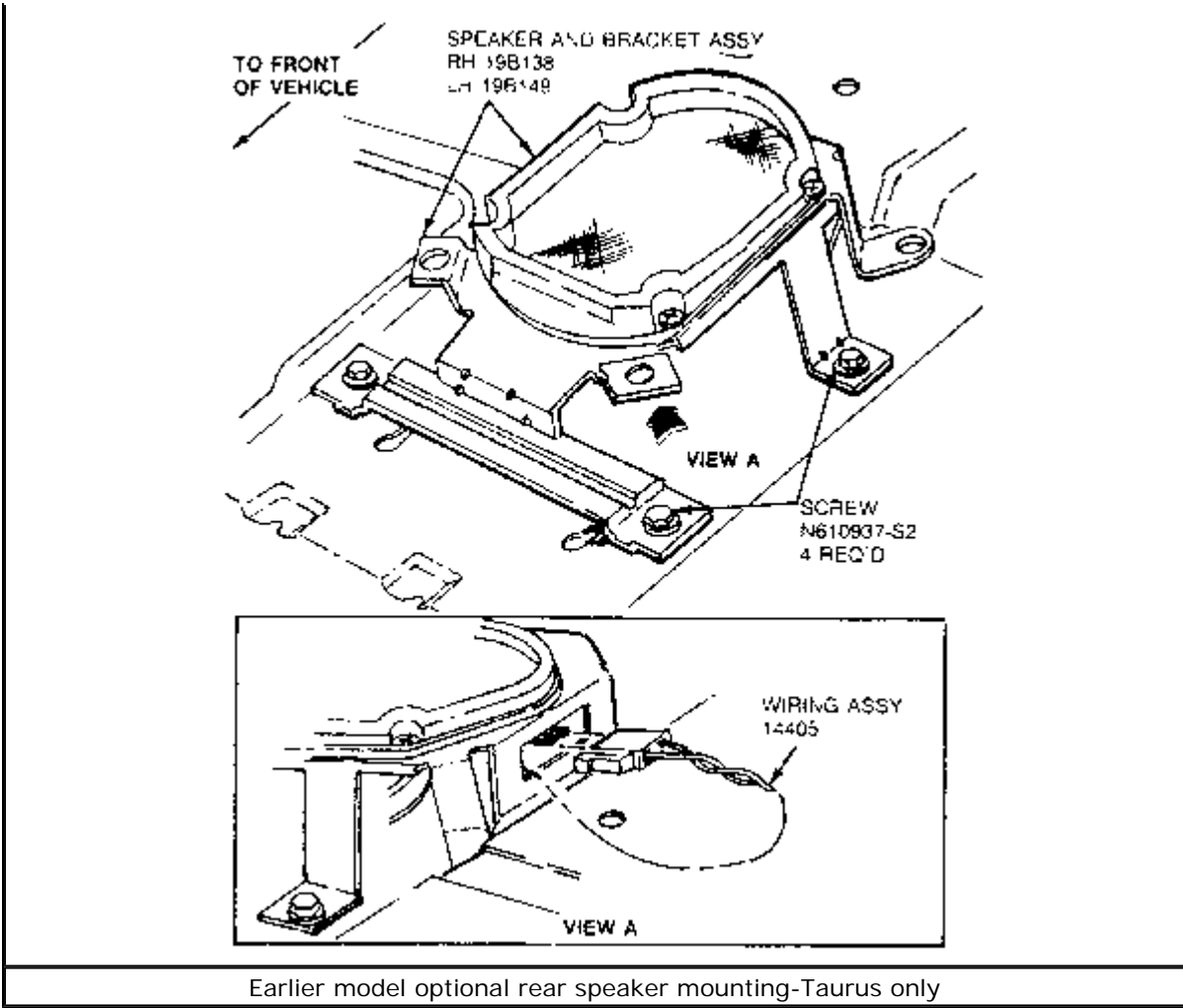
[Click to enlarge](#)

**To install:**

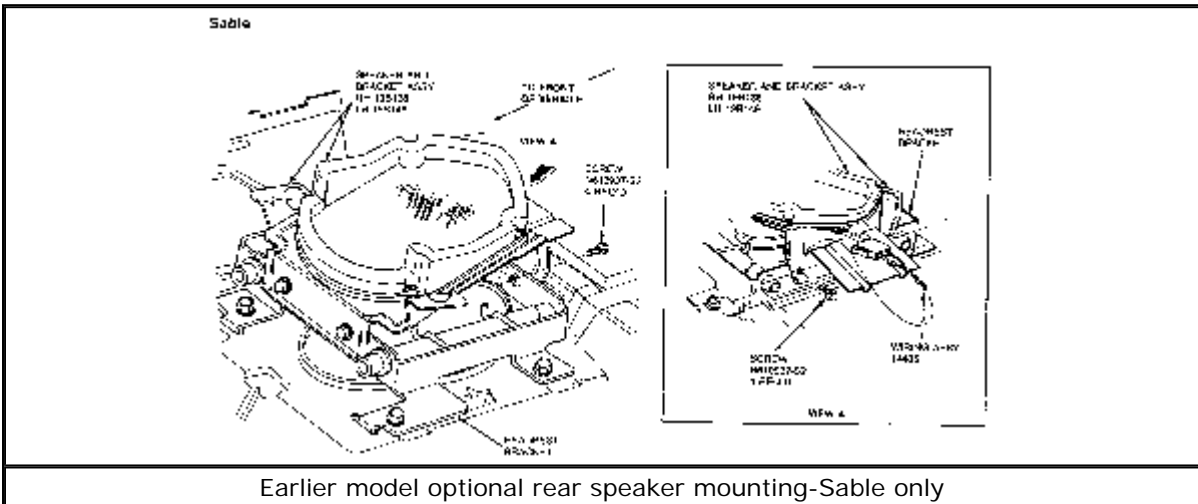
5. Position the speaker and strap assembly in place with one end of the strap over the tab on the package tray. Pull the opposite end of the strap to index over the other tab, securing the assembly.
6. Connect the speaker harness wiring, then connect the negative battery cable and check speaker operation.
7. Connect the negative battery cable.

**OPTIONAL SPEAKER**

1. Disconnect the negative battery cable.
2. Remove the speaker grille from the package tray panel.
3. Remove the speaker retaining screws.
4. Pull the speaker forward, then disconnect the speaker electrical wiring. Remove the speaker from the vehicle.

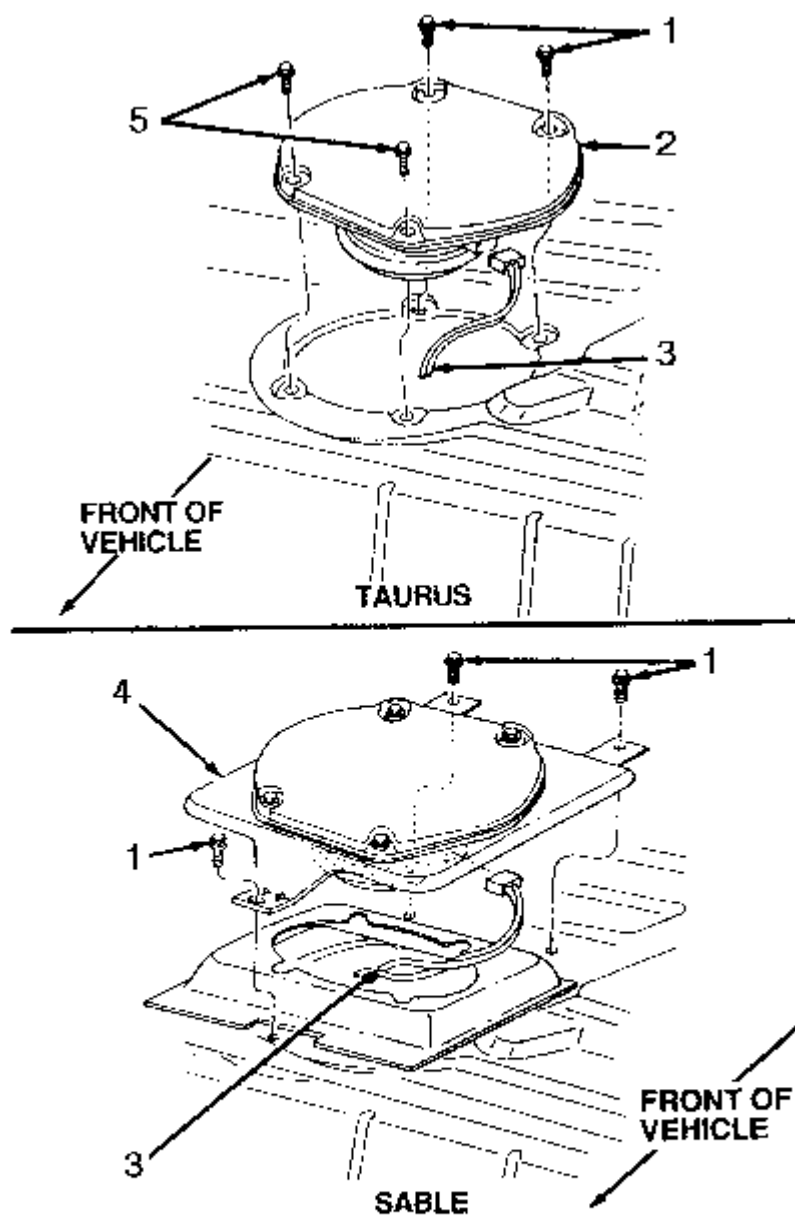


[Click to enlarge](#)



[Click to enlarge](#)





- 1 Screw
- 2 Radio speaker
- 3 Radio amplifier wiring
- 4 Radio speaker mounting bracket

Late model speaker mounting-Taurus and Sable shown

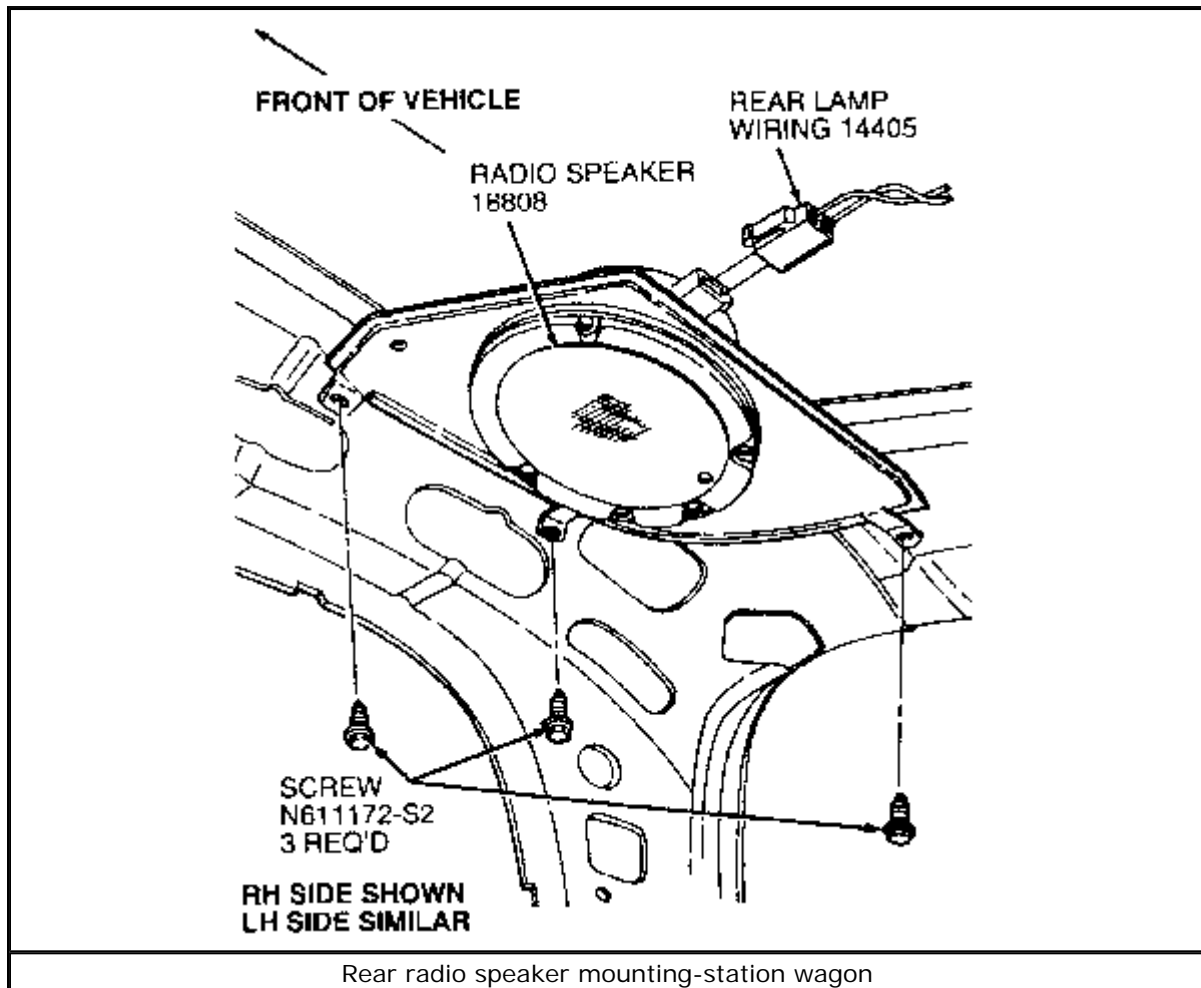
[Click to enlarge](#)

**To install:**

5. Connect the speaker electrical wiring, then install the speaker in the vehicle. Secure using the retaining screws.
6. Install the speaker grille to the package tray panel.
7. Connect the negative battery cable.

## Station Wagon

1. Disconnect the negative battery cable.
2. Remove the inner rear corner of the upper finish panel.
3. Remove the screws retaining the speaker mounting bracket and speaker assembly.
4. Disconnect the speaker electrical wiring, then slide the speaker mounting bracket edge out from under the headlining. Remove the speaker from the vehicle.



[Click to enlarge](#)

### To install:

5. Position the speaker, then slide the speaker mounting bracket edge under the headlining and connect the speaker electrical wiring.
6. Install the speaker and mounting bracket retaining screws.
7. Install the inner rear corner of the upper finish panel.
8. Connect the negative battery cable.