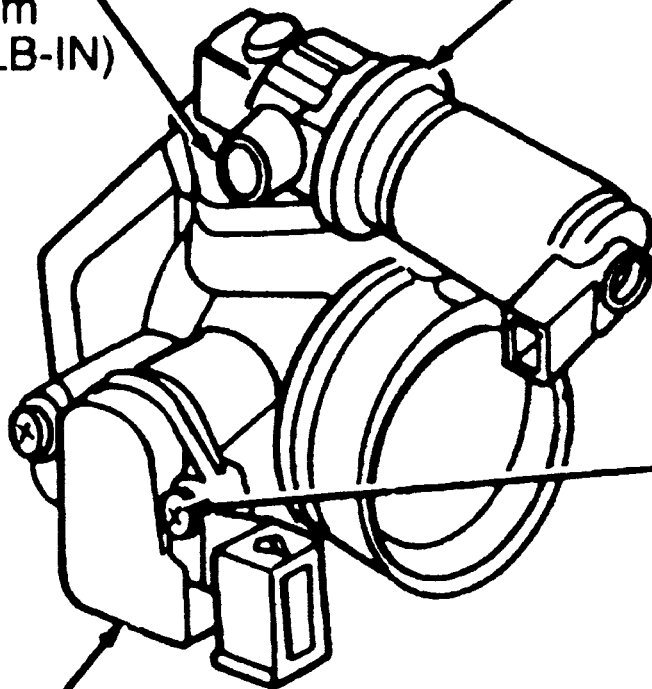


SCREW
TIGHTEN TO
8-11.5 N·m
(71-102 LB-IN)

IDLE AIR CONTROL
(IAC) VALVE 9F715



SCREW
TIGHTEN TO
2.8-3.8 N·m
(25-34 LB-IN)

THROTTLE POSITION (TP)
SENSOR 9B989