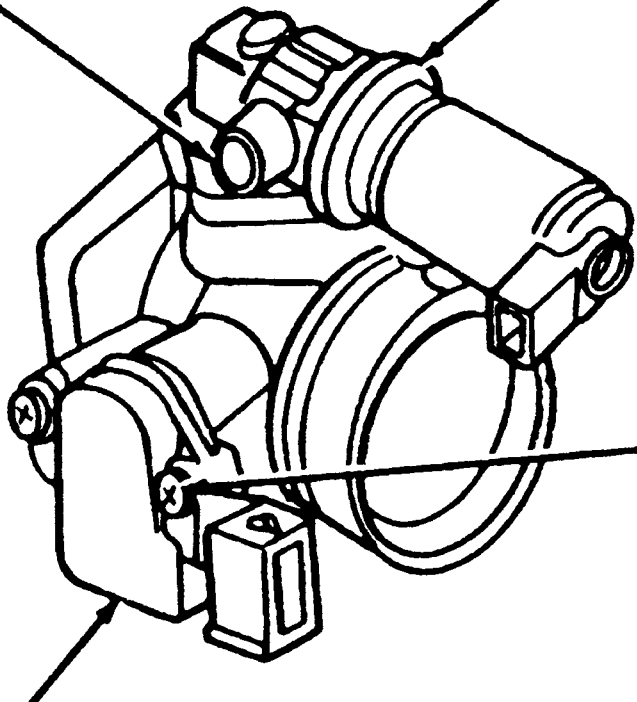


**SCREW
TIGHTEN TO
9.5 N·m
(7 LB-FT)**

**IDLE AIR CONTROL
(IAC) VALVE 9F715**



**SCREW
TIGHTEN TO
2.4-3.8 N·m
(21-34 LB-IN)**

**THROTTLE POSITION (TP)
SENSOR 9B989**