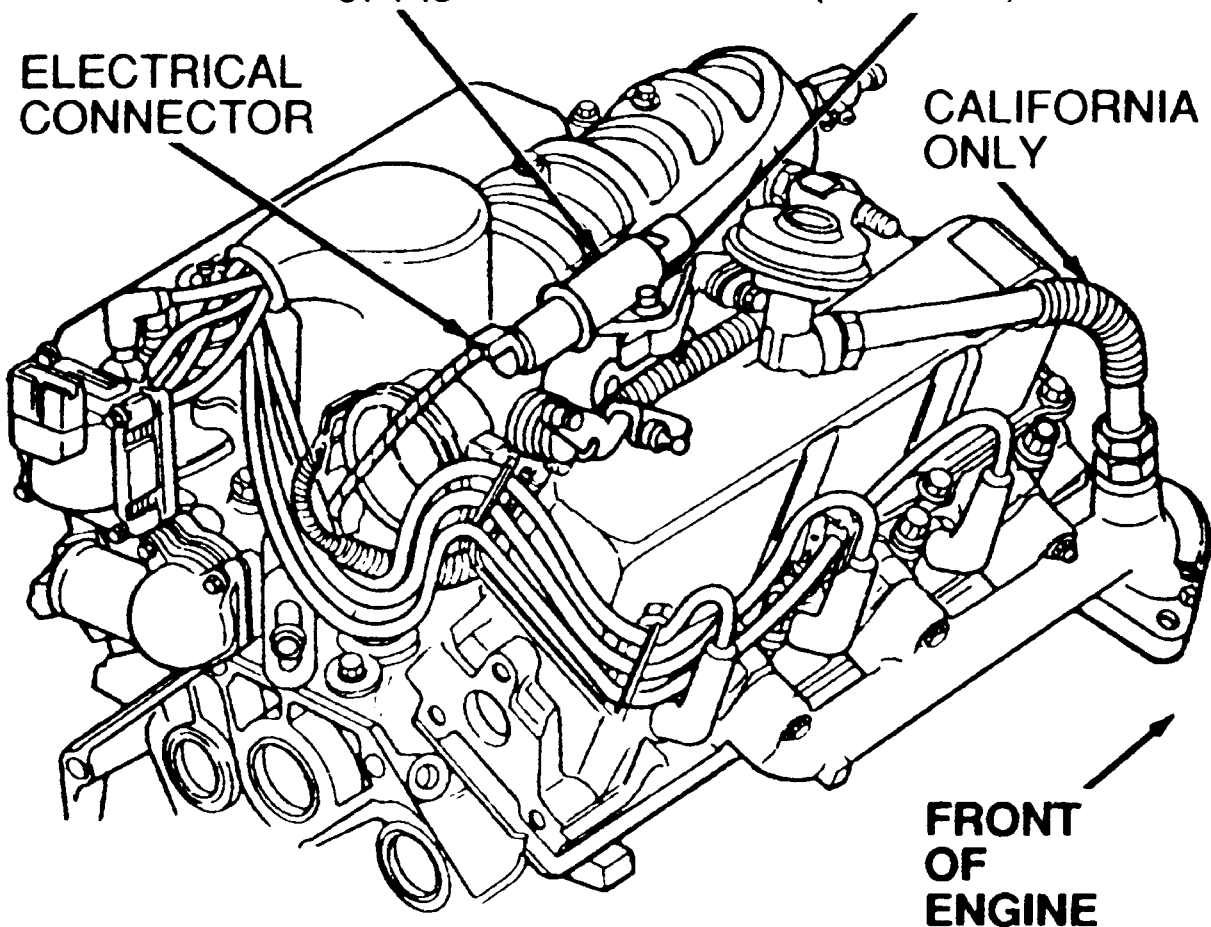


**IDLE AIR  
CONTROL  
VALVE  
9F715**

**SCREW  
TIGHTEN TO  
9.5 N·m  
(84 LB-IN)**

**ELECTRICAL  
CONNECTOR**

**CALIFORNIA  
ONLY**



**FRONT  
OF  
ENGINE**

**UNLEADED SHOWN  
FF SIMILAR**