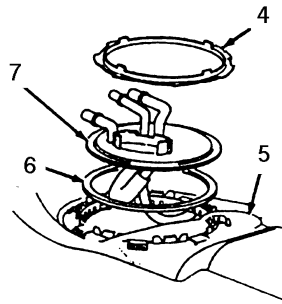
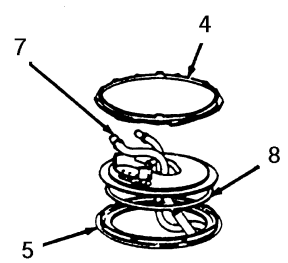


VIEW T



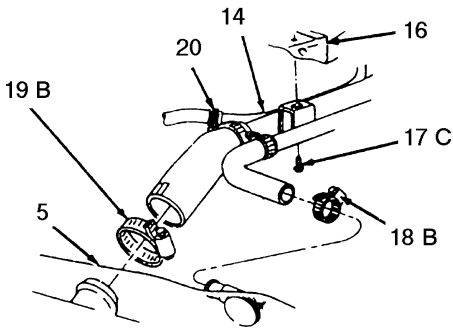
FF VEHICLES

VIEW U



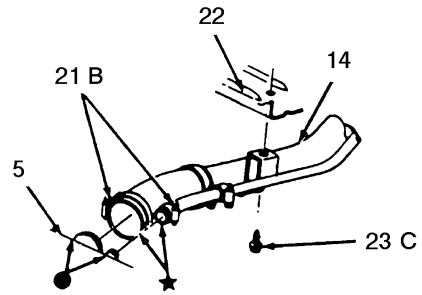
EXCEPT FF VEHICLES

VIEW U



FF VEHICLES

VIEW Z

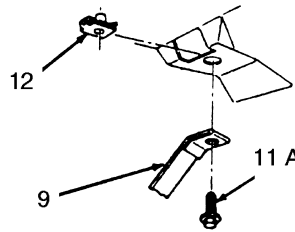


EXCEPT FF VEHICLES

VIEW Z

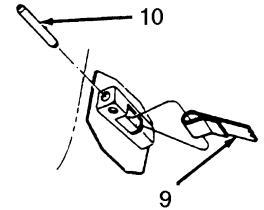
● SAE 10W-40 ENGINE OIL MAY BE USED ON 9002 AND OR 9034 AS AN ASSY AID. NO OTHER MATERIAL MAY BE USED.

★ INSTALL HOSES FLUSH TO TANK SURFACE. CLAMP MUST BE ON HOSE FLUSH TO 3.0MM (.1 INCH) FROM END OF HOSE.



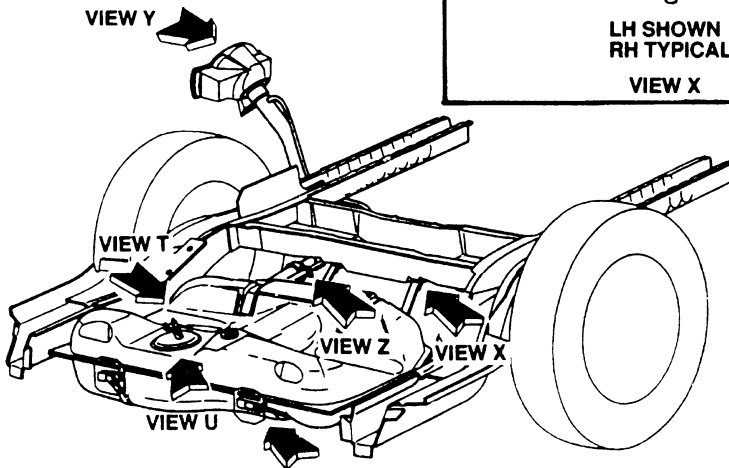
LH SHOWN
RH TYPICAL

VIEW X

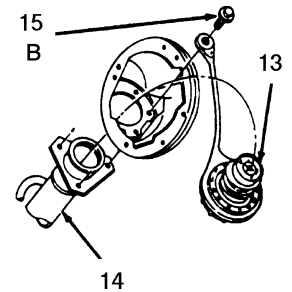


LH SHOWN
RH TYPICAL

VIEW W



VIEW W



VIEW Y

- | | | |
|--|----------------------------|---|
| 1. Fuel tank to floor pan insulator (2 required) | 9. Fuel tank support strap | 18. Hose clamp |
| 2. Fuel vapor valve | 10. Pin (2 required) | 19. Hose clamp |
| 3. Fuel pump module | 11. Bolt (2 required) | 20. Hose clamp |
| 4. Fuel pump locking retainer ring | 12. Nut (2 required) | 21. Hose clamp |
| 5. Fuel tank | 13. Fuel tank filler cap | 22. Crossmember |
| 6. Fuel pump mounting gasket | 14. Fuel tank filler pipe | 23. Bolt |
| 7. Fuel pump (part of fuel pump module) | 15. Bolt | A. Tighten to 29-41 N.m (22-30 lb-ft) |
| 8. Gasket | 16. Body | B. Tighten to 2.7-3.7 N.m (24-32 lb-in) |
| | 17. Bolt | C. Tighten to 4.0-6.0 N.m (35-53 lb-in) |