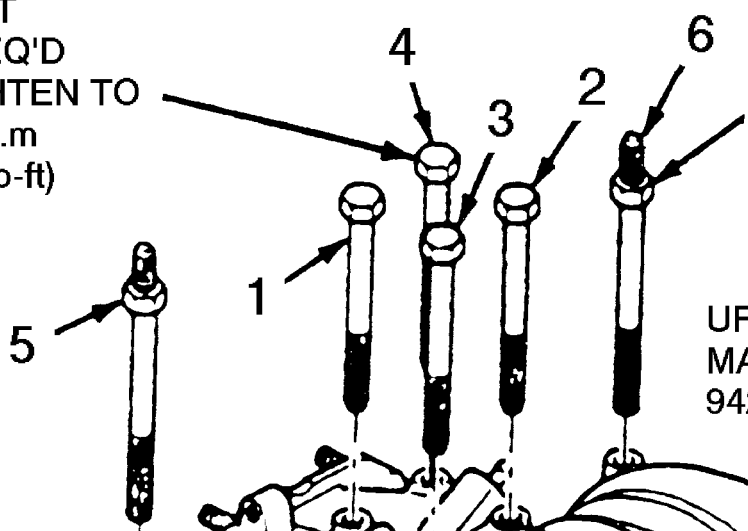


BOLT
4 REQ'D
TIGHTEN TO
32 N.m
(24 lb-ft)

STUD
2 REQ'D
TIGHTEN TO
(24 LB-FT)



UPPER INTAKE
MANIFOLD ASSY
9424

FRONT OF ENGINE
↙

GASKET
9H486

LOWER INTAKE
MANIFOLD ASSY

LOCATING PIN
2 PLACES

