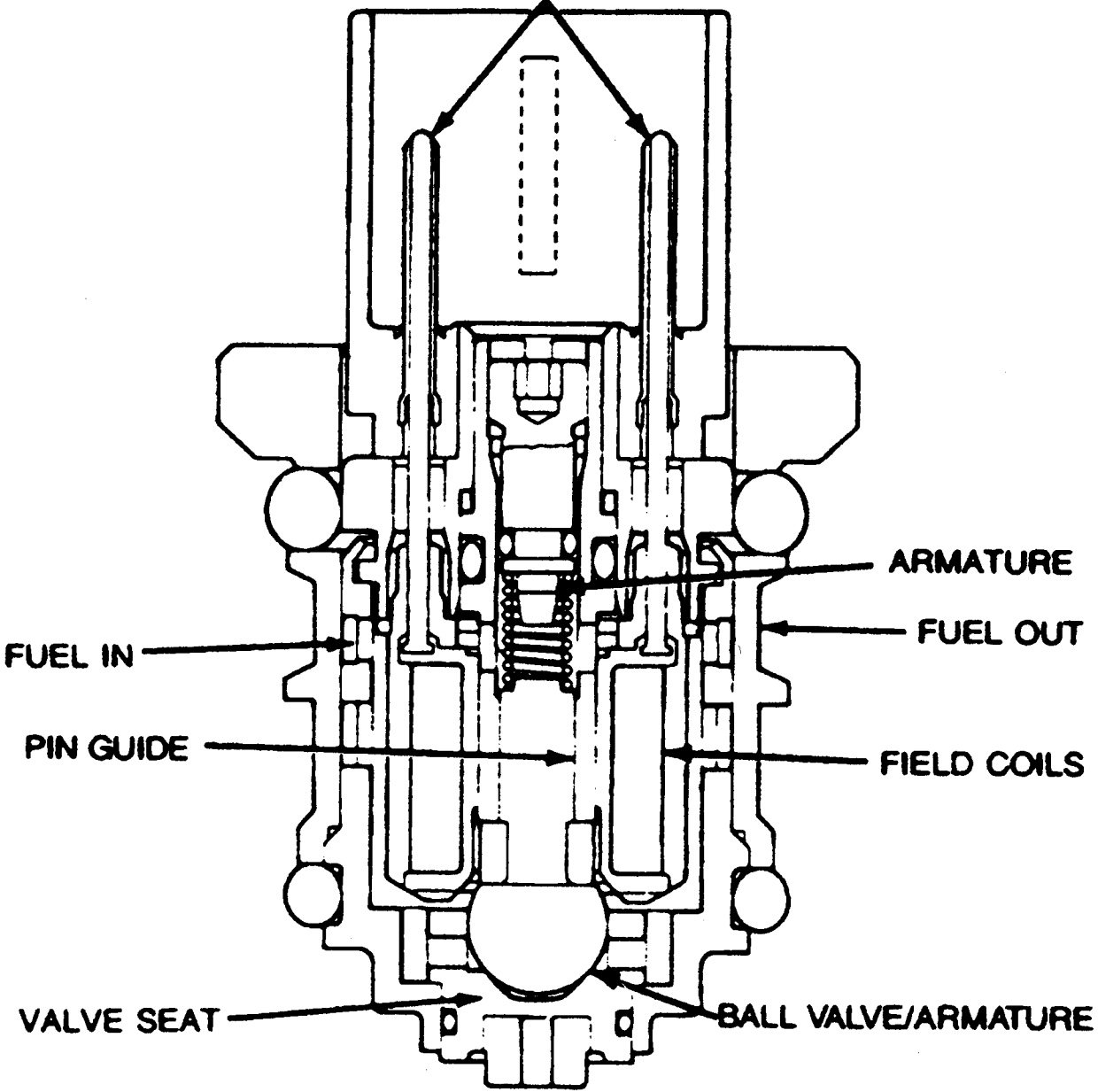


**ELECTRICAL CONNECTORS**



**FUEL IN**

**ARMATURE**

**FUEL OUT**

**PIN GUIDE**

**FIELD COILS**

**VALVE SEAT**

**BALL VALVE/ARMATURE**