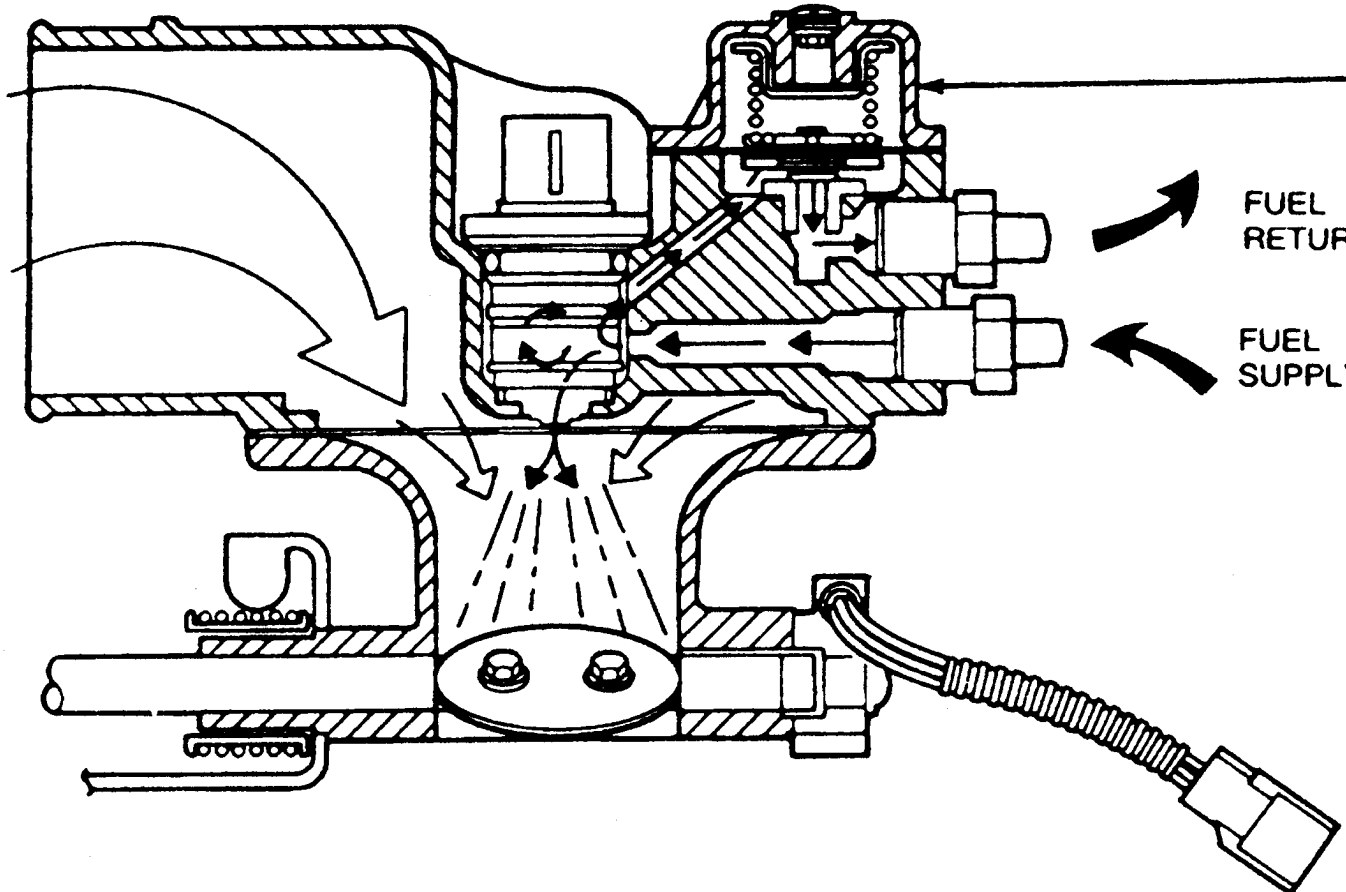


AIRFLOW



FUEL PRESSURE  
REGULATOR

FUEL  
RETURN

FUEL  
SUPPLY