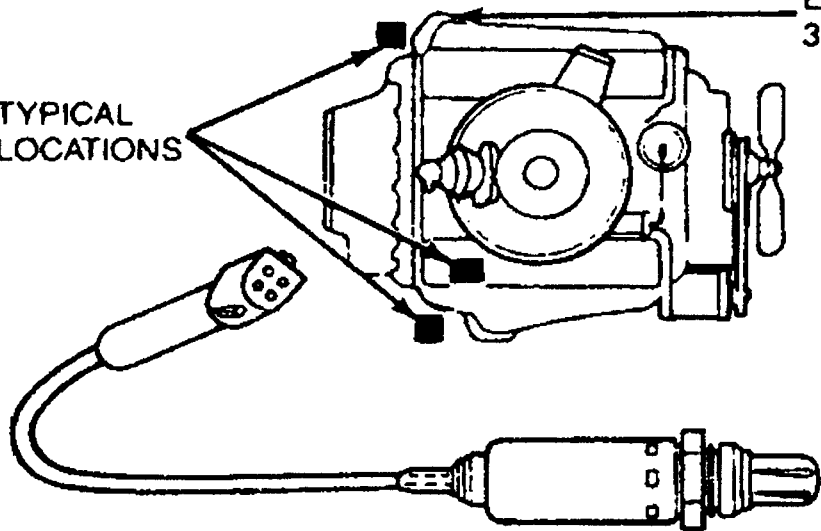


THREADED INTO LH
EXHAUST PIPE ON
3.8L TAURUS/SABLE

TYPICAL
LOCATIONS



THREADED INTO CENTER REAR OF EXHAUST MANIFOLD ON 2.3L HSC, 2.5L
THREADED INTO Y-PIPE JUNCTURE OF CATALYST INLET ON 3.0L EFI/
2.9L TRUCK