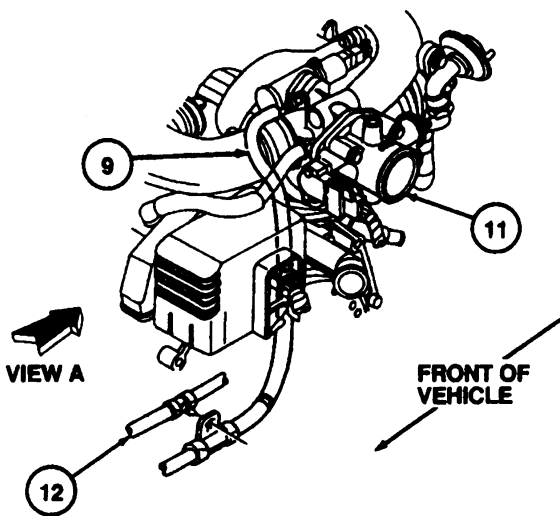


Item	Part Number	Description
1	N606688-S2	Bolt
2	N610959-S2	Bolt
3	9D653	Evaporative Emissions Canister
4	9D665	Evaporative Emission Canister Bracket
5	—	LH Headlamp Opening (Part of 16138)
6	16138	Radiator Support
7	9K313	Evaporative Emission Tube



Item	Part Number	Description
8	9A228	Fuel Tank Vent Tube (Part of 9K313)
9	9E325	Evaporative Emission Hose
10	9C915	Evaporative Emission Canister Purge Solenoid
11	9E926	Throttle Body
12	14301	Battery Ground Cable
A	—	Tighten to 21.2-28.8 N·m (15-21 Lb·Ft)
B	—	Tighten to 5.2-7.2 N·m (46-63 Lb·In)