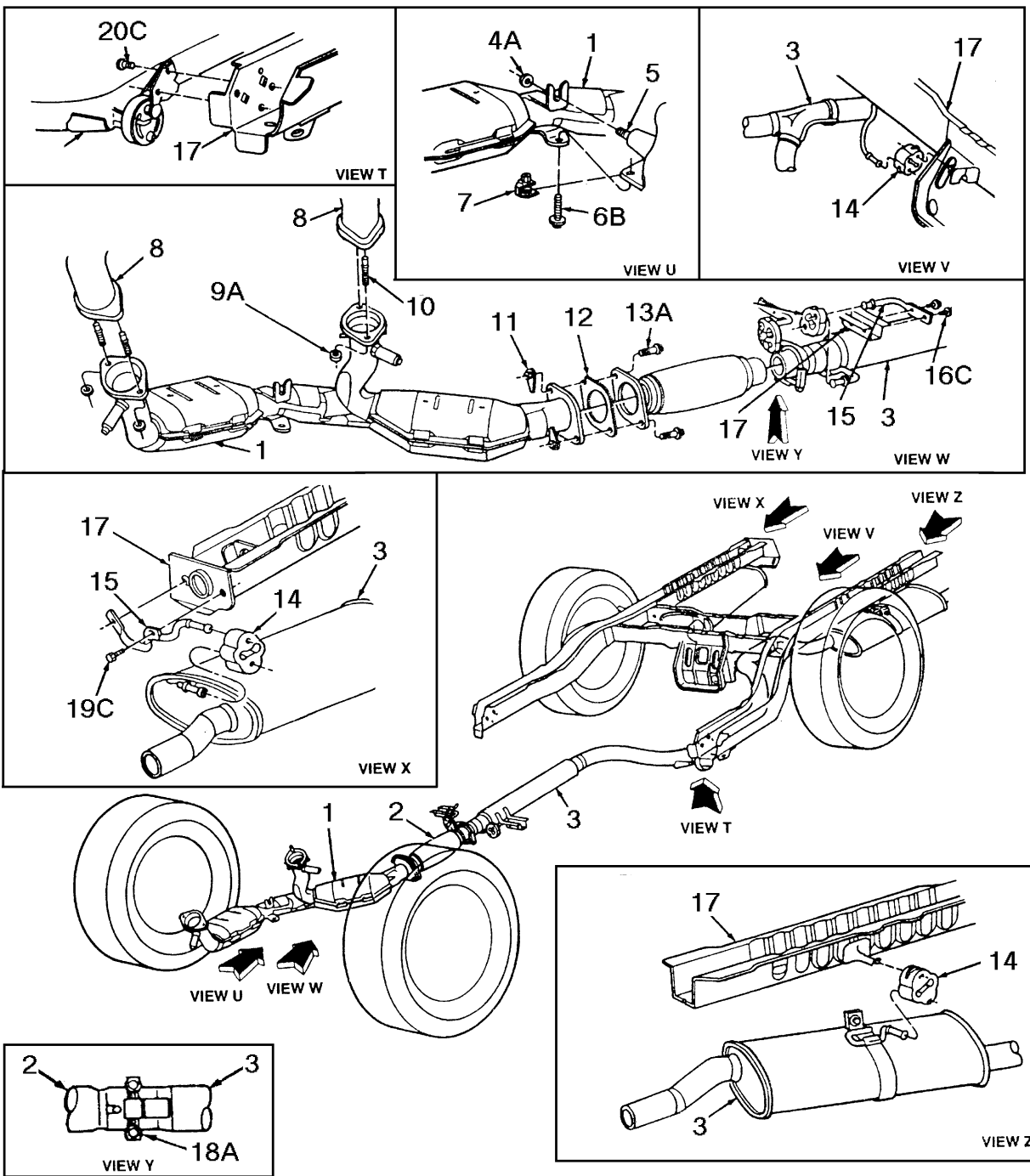


### 3.2L SHO



- 1 Dual converter Y pipe
- 2 Exhaust system flex tube
- 3 Muffler
- 4 Nut
- 5 Transaxle case
- 6 Bolt
- 7 U-nut
- 8 Exhaust manifold (2 req'd)
- 9 Nut (4 req'd)
- 10 Stud bolt (4 req'd)
- 11 Nut (2 req'd)
- 12 Exhaust converter outlet gasket

- 13 Bolt (2 req'd)
- 14 Exhaust hanger insulator (3 req'd)
- 15 Muffler pipe bracket (2 req'd)
- 16 Bolt (4 req'd)
- 17 Rear floor side member
- 18 Exhaust clamp
- 19 Bolt (2 req'd)
- 20 Bolt (2 req'd)
- A Tighten to 34--46 Nm (26-33 lb.ft.)
- B Tighten to 29.7-40.3 Nm (22-30 lb.ft.)
- C Tighten to 14.8-20.2 Nm (11-15 lb.ft.)