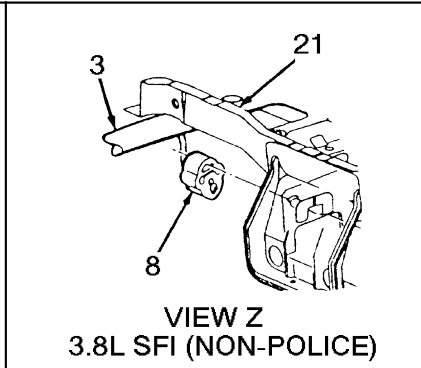
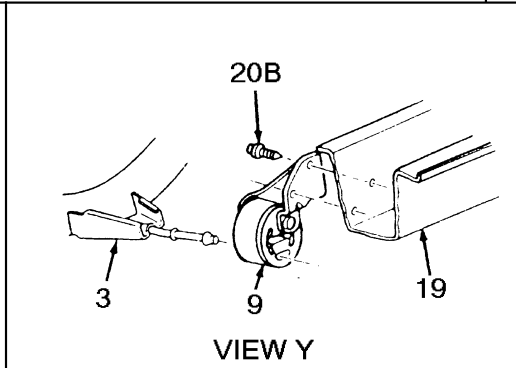
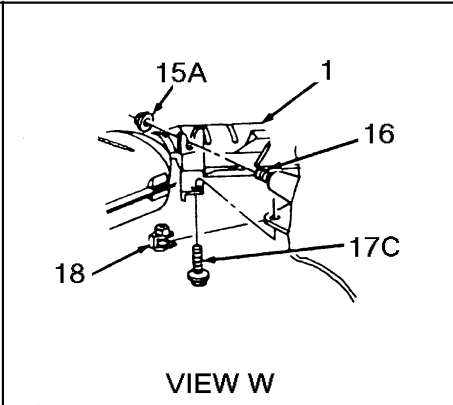
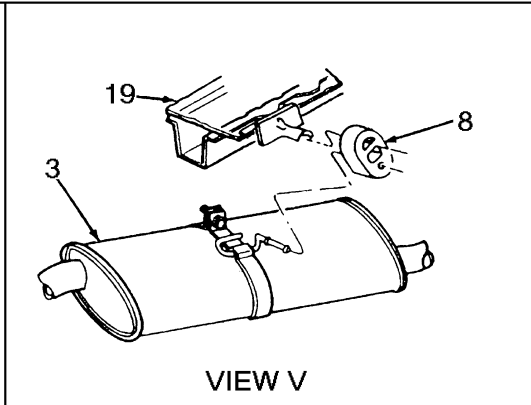
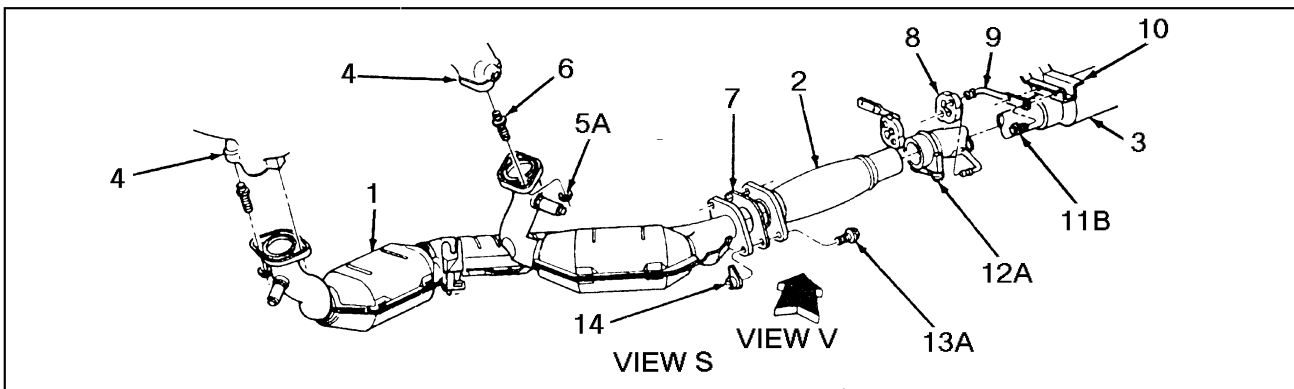
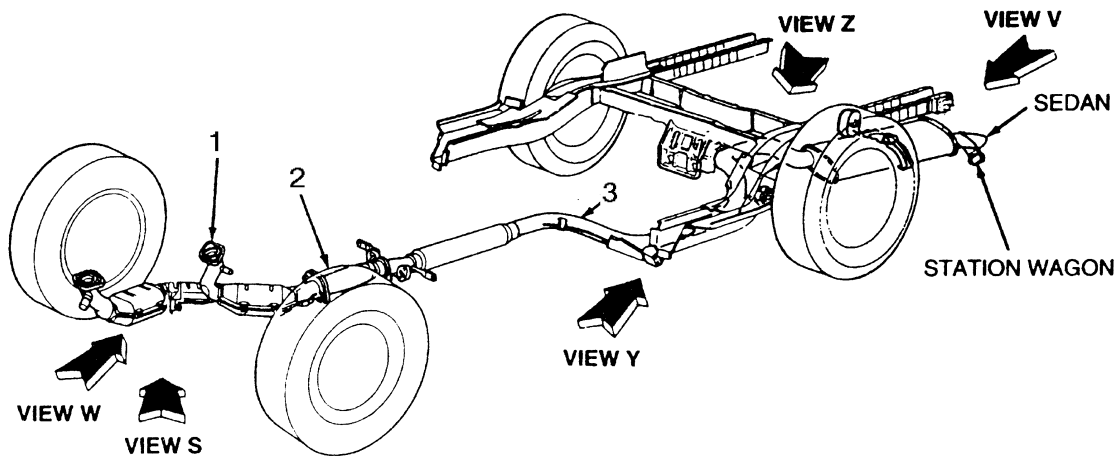


3.0L SFI WITH AX4S TRANSAXLE AND 3.8L SFI (NON-POLICE) ENGINES



- 1 Dual converter Y pipe
- 2 Exhaust system flex tube
- 3 Muffler
- 4 Exhaust manifold
- 5 Nut (4 req'd)
- 6 Stud bolt (4 req'd)
- 7 Exhaust converter outlet gasket
- 8 Exhaust hanger insulator
- 9 Muffler pipe bracket
- 10 Front floor pan
- 11 Bolt (4 req'd)
- 12 Exhaust clamp
- 13 Bolt (2 req'd)
- 14 Nut (2 req'd)
- 15 Nut
- 16 Transaxle case
- 17 Bolt
- 18 U-nut
- 19 Rear floor side member
- 20 Bolt (2 req'd)
- 21 Rear floor cross member
- A Tighten to 34-46 Nm (26-33 lb.ft.)
- B Tighten to 14.8-20.2 Nm (11-15 lb.ft.)
- C Tighten to 29.7-40.3 Nm (22-30 lb.ft.)