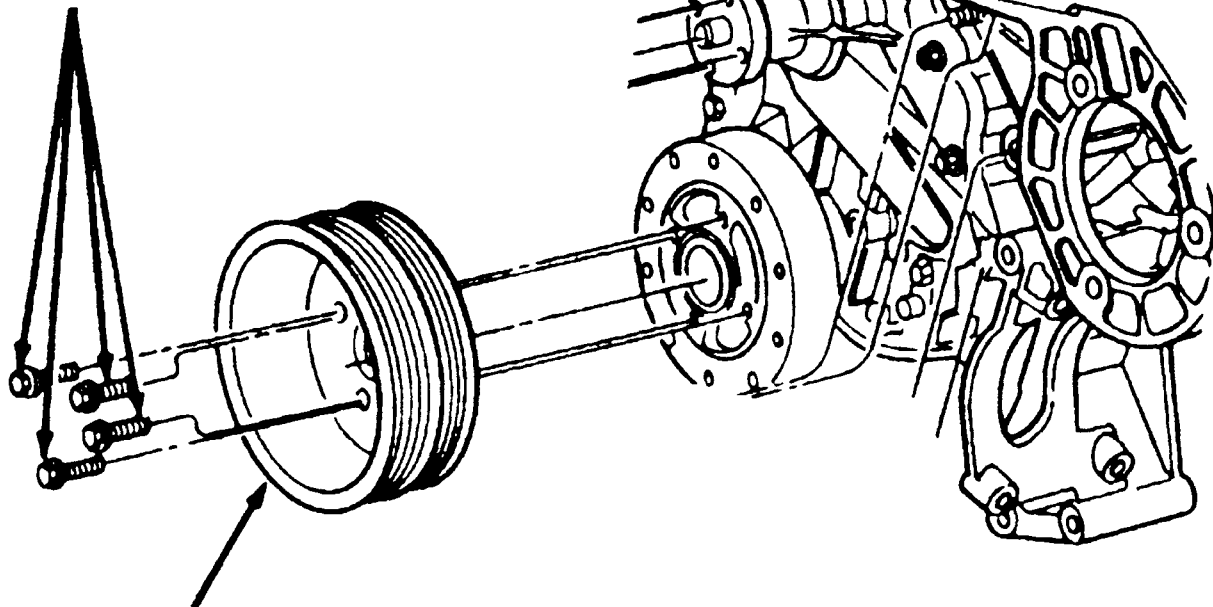


**BOLT  
N804743-S8  
TIGHTEN TO  
40-60 N·m  
(30-44 LB-FT)**



**CRANKSHAFT  
PULLEY 6312**