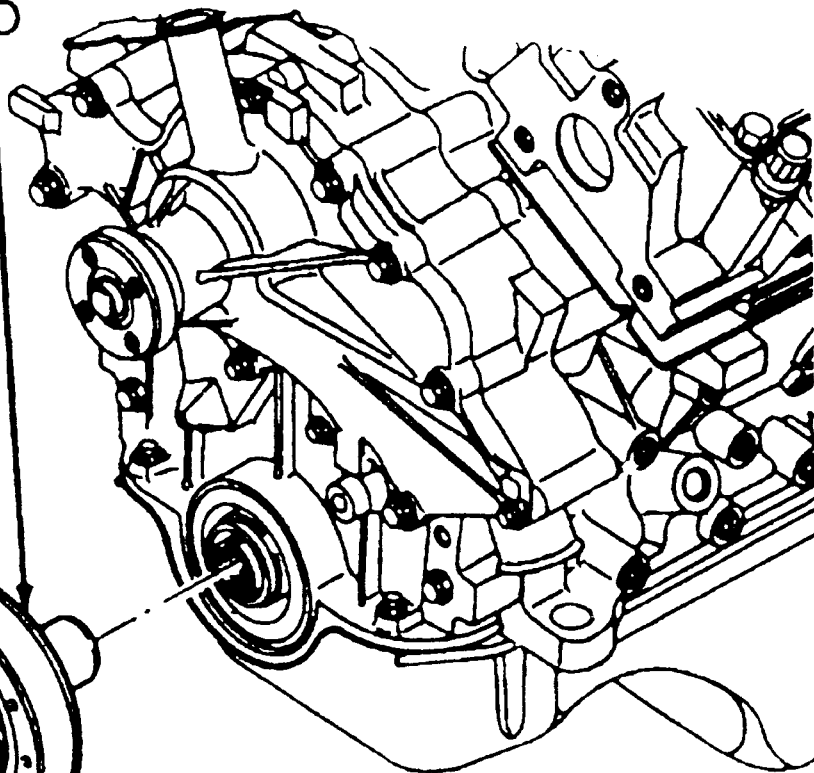


**CRANKSHAFT VIBRATION
DAMPER 6316 LUBRICATE
OUTSIDE OF DAMPER HUB
WITH OIL PRIOR TO
INSTALLATION**

**BOLT
TIGHTEN TO
125-165 N·m
(93-121 LB-FT)
HAND START**

**FLATWASHER
6378**

FRONT OF ENGINE



**NOTE: APPLY SEALANT
ON KEYWAY PRIOR TO
INSTALLATION DO NOT
ALLOW SEALANT TO
CONTACT CRANK SEAL
SURFACE.**