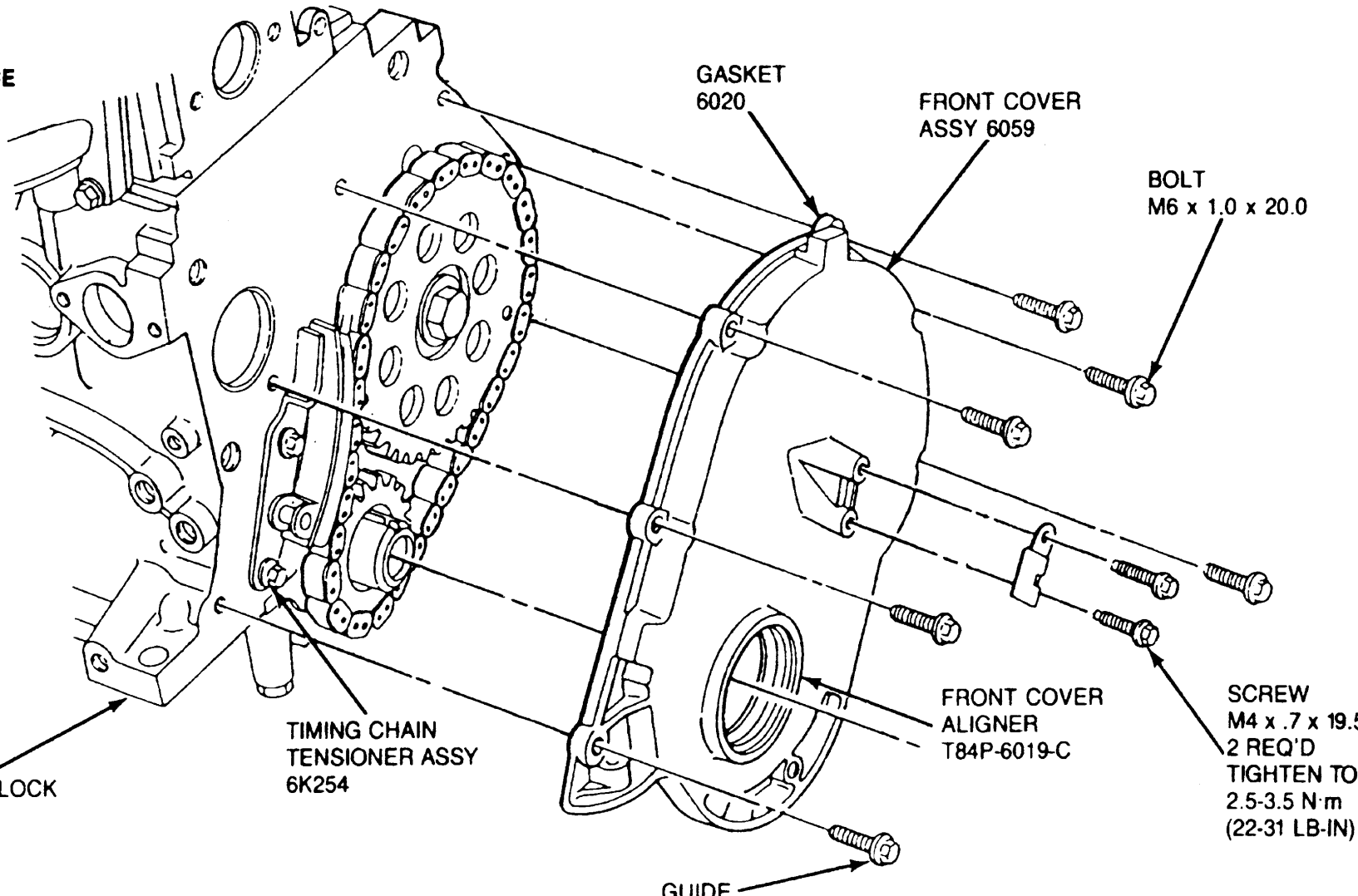


FRONT OF ENGINE



GASKET
6020

FRONT COVER
ASSY 6059

BOLT
M6 x 1.0 x 20.0

TIMING CHAIN
TENSIONER ASSY
6K254

FRONT COVER
ALIGNER
T84P-6019-C

SCREW
M4 x .7 x 19.5
2 REQ'D
TIGHTEN TO
2.5-3.5 N·m
(22-31 LB-IN)

CYLINDER BLOCK
ASSY 6010

GUIDE