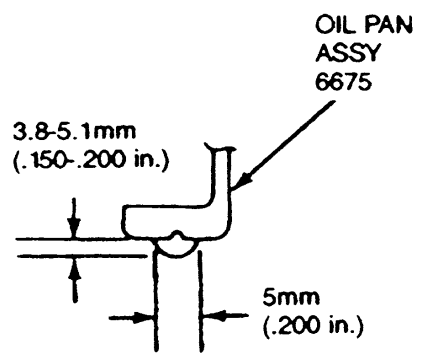


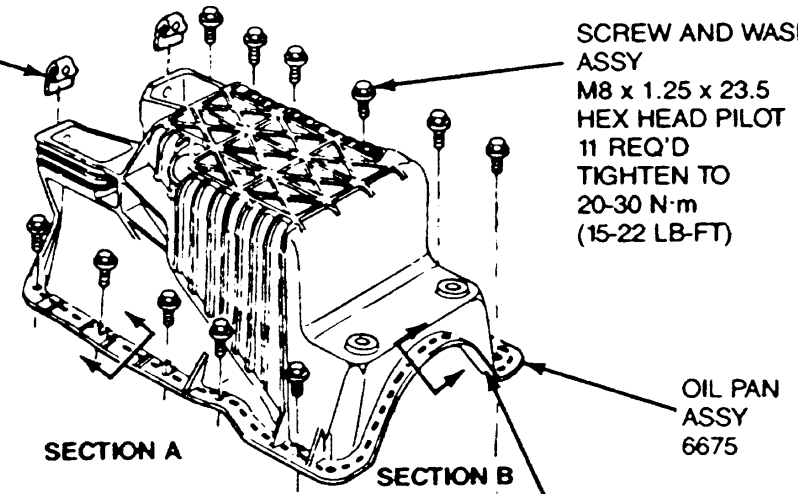
SECTION A (TYPICAL)



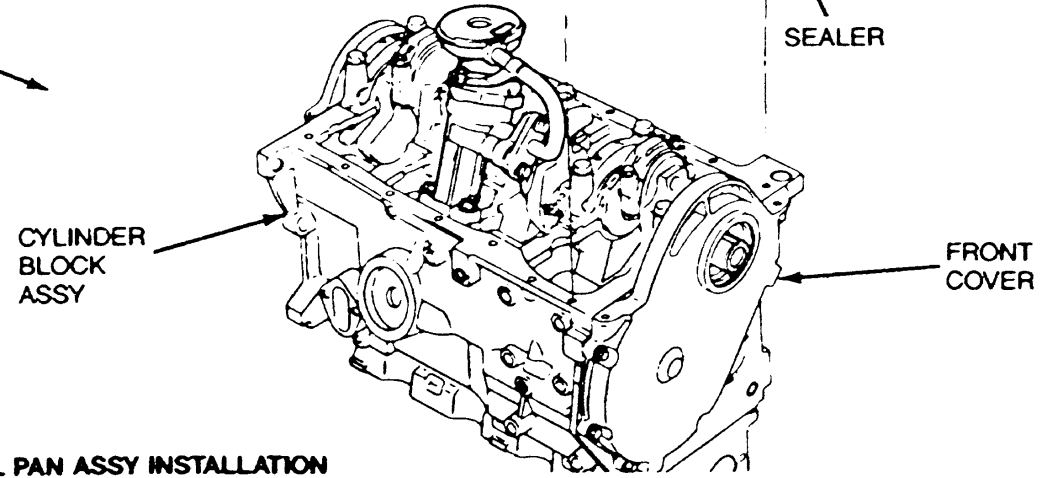
SECTION B

SPACER (2 PLACES) (IF REQUIRED) 6C629

SCREW AND WASHER ASSY M8 x 1.25 x 23.5 HEX HEAD PILOT 11 REQ'D TIGHTEN TO 20-30 N·m (15-22 LB-FT)



FRONT OF ENGINE



OIL PAN ASSY INSTALLATION