

CYLINDER BLOCK
6010

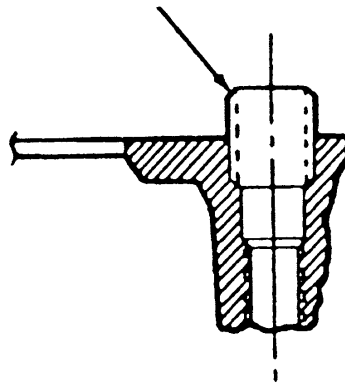
HEAD
GASKET
6051

SECTION A

FRONT OF ENGINE

CYLINDER HEAD
TO BLOCK DOWEL
6A008
2 REQ'D

CYLINDER HEAD TO
BLOCK DOWEL
6A008
NOTE: MUST BE BOTTOMED OUT
(FOR MANUAL OPERATIONS ONLY)



SECTION A
TYPICAL 2 PLACES