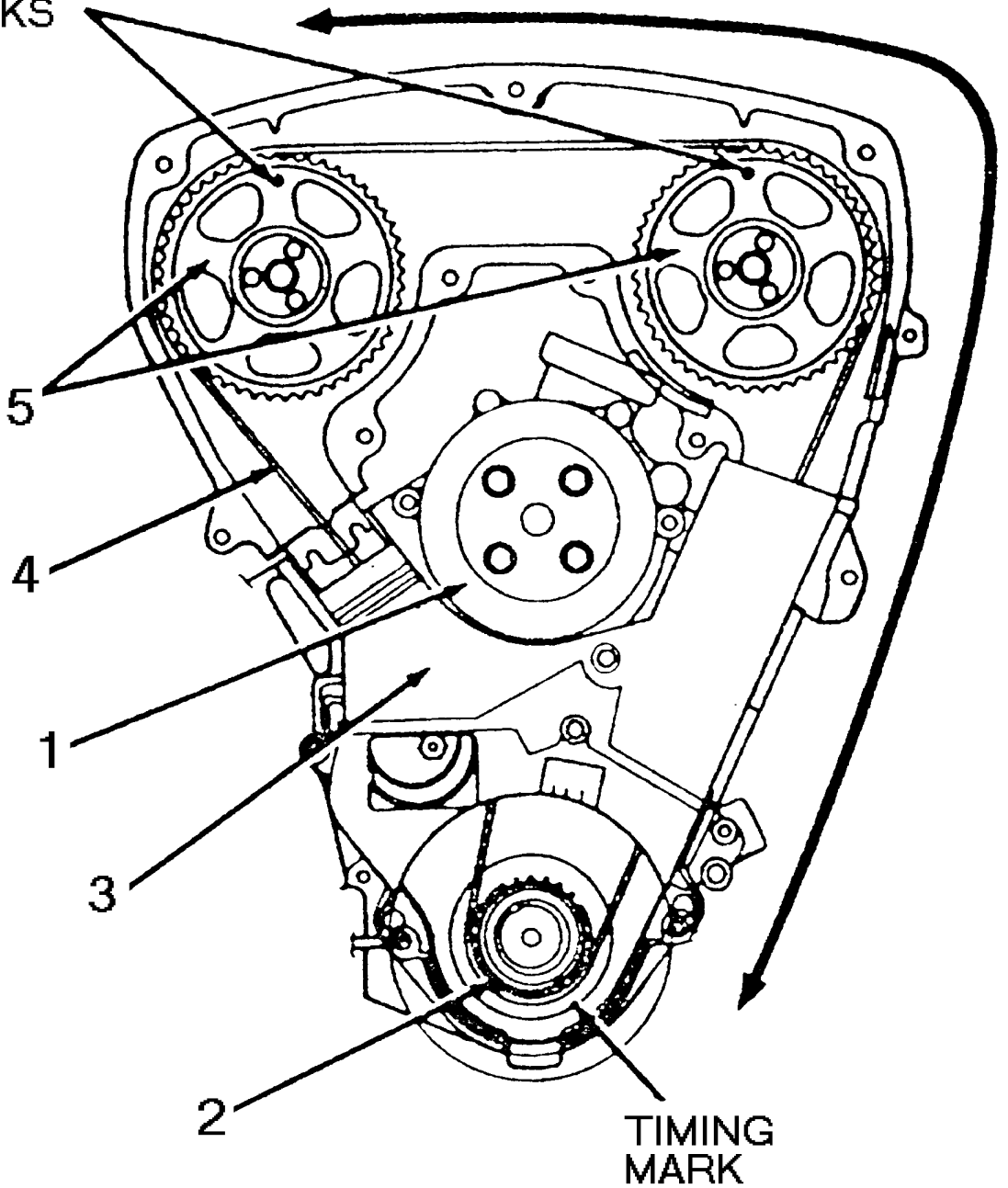


TIMING
MARKS

TENSION



- 1 Water pump pulley
- 2 Crankshaft sprocket
- 3 Center outer timing belt cover
- 4 Timing belt
- 5 Camshaft sprocket